

TELESCOPIC LIFTERS
LINEAR GUIDE LIFTERS
ACTUATORS



**baumeister
& schack**

clever motion - smart performance



Clever motion & smart performance – baumeister & schack

Telescopic lifters, linear guide lifters, actuators and smart accessories: baumeister & schack lifts you to the right level. In industrial manufacturing, vehicle construction, medical and healthcare technology, ergonomic furniture or multi-media displays - you can always depend on our smart products.

Just tell us what you need. Our highly motivated team of skilled specialists always offer you the perfect solution. If one of our standard products does not fit, as a traditional swabian inventor we will take an innovative, individual way with you to find the perfect solution.

Where other see the limits, we see the challenge

We are designing and producing our exceptional products in Balingen at the rise of the swabian alps, right in the middle of the country of inventors and precise technicians. We can look back to almost four decades of experience when it comes to lifting systems and drive technology.

Our constant growth proves our innovative power and the highest quality of our products. Through the years we consistently opened new branches and gained trusted customers, who value our products and service. Today we have 3000sq.m production area at two modern facilities in Balingen.





BRANCHES

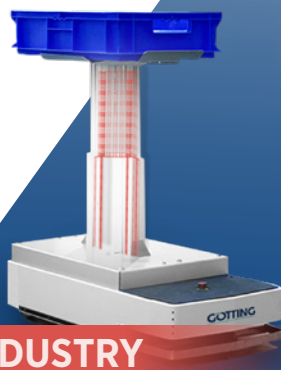
Precision for any branches

The lifting systems from baumeister & schack are used in many applications. They unite power, precision and distinctive design.

We can offer proper solutions for every market segment, from ready-to-built-in single components to complete systems.



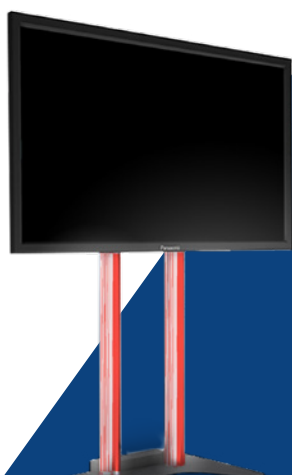
ERGONOMIC FURNITURE



INDUSTRY



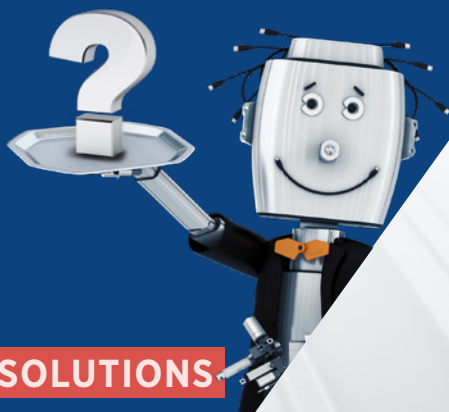
SPECIAL VEHICLE EQUIPMENT



MULTI-MEDIA DISPLAYS



MEDICAL AND HEALTHCARE



TAILOR-MADE SOLUTIONS

REFERENCES

Excerpt from our references

Alu-line	ELABO	Knürr	Schnaithmann
Alvaris	Eickemeyer	Kögl	Schneider Electric
Asstec	ErgoPack	Liebherr Hausgeräte	Schweiger
Audi	Erich Keller	Linde	Siemens
Bansbach	Eurofunk	Löwenstein Medical	Sirona Dentsply
Bedrunka & Hirth	Fast & Fluid	Media Screen	Sortimo
Bizerba	Festo	medica Medizintechnik	Stadler
BMW	Fona s.r.l.	Merwag Gibswil	Storopack
Block Optic	Frei	Mettler Toledo	Swatch Group
Bock, Hermann	GE Healthcare	MiniTec	TA Service
BOS	Haselmaier, Tischlerei	MIWE	Thermo Fisher
Bosch Rexroth	hera Laborsysteme	Nick	Vitra
Buben & Zörweg	Hoffmann Gruppe	Oculus	VMA Getzmann
Celestica	Holzmedia	Opel	Völker
Clap Tzu	Hymer	Optiplan	Waldmann
Cogent 3M	Ideal	PLEXUS	Waldner
Daimler Benz	IKA-Werke	Porsche	Walter Knoll
DFS Flugsicherung	Interstuhl	Rittal	Zeiss
Dittrich & Greipl	KABATEC	Robot Units	
Dräger	Kern Studer Ergoline	Rodek	
EBM Pabst	Kim Stahlmöbel	Rolf Benz	

...and many more.



CONTACT

Main Office

T: +49 (0) 74 33 / 14 56-0
Fax: +49 (0) 74 33 / 14 56-50
info@baumeister-schack.de

Sales

T: +49 (0) 74 33 / 14 56-11

Technical Support

T: +49 (0) 74 33 / 14 56-14

Construction

T: +49 (0) 74 33 / 14 56-33

Distribution partners Germany

Germany ZIP-Codes: 0 - 7

Jens Vettermann
Fuchslochweg 1
74933 Neidenstein
T: +49 (0)160 476 328 2
vettermann@baumeister-schack.de

Germany ZIP-Codes: 8, 9

Ergo-Tec GmbH
Gewerbestraße 2
91489 Wilhelmsdorf
T: +49 (0)91 04 82 969 0
info@ergo-tec.com

Distribution partners worldwide

France

EASY MOOV Eurl
Jean-Eric Pidancet
100 Chemin des Pres Bouvaux
Seynod
F-74000 ANNECY
courrier@easymoov.fr

Belgium, Netherlands, Luxembourg

A&E Trading B.V.
Lorentzplatz 13
NL 9351 VJ Leek
T: +31 594 5811 58
info@aetrading.nl

Norway

Aratron AS
Bj17
N-1266 Oslo
T: +47 23 19 16 60
firmapost@aratron.no

Italy

Dinalab S.r.l.
Via Monte Grigna, 7
20092, Cinisello Balsamo (MI)
T: +39 02 50 03 04 84
info@dinalab.it



CONTACT

Sweden

Rollco AB
Ekvändan 3
254 67 Helsingborg
T: +46 42 15 00 40
info@rollco.de

Israel

Niggi Polished Tubes Ltd.
69, Gisin St., Kiryat Arie,
P.O.B. 10095 Petah Tikva
T: +97 2 3 9247811
niggi@npt.co.il

Portugal

Equinotec
Solucoes de Engenharia, Lda.
Av. Villagarcia de Arosa, 1120
4450-300 Matosinhos
T: +351 229 350 755 (Norte)
T: +351 218 400 850 (Sul)
comercialnorte@equinotec.com
comercialsul@equinotec.com

United Kingdom

LG Motion
Unit 1A Telford Road, Basingstoke
Hampshire
RG21 6YU
T: +44 1256 365600
info@lg-motion.co.uk

LIFTERS OVERVIEW

HEXALIFT



Fig. similar

T 165 AP



Fig. similar

VISOLIFT



Fig. similar

T 175



Fig. similar

TR 126



Fig. similar

T 180



Fig. similar

LIFTERS HEXALIFT



with mounting brackets



without mounting brackets

HEXALIFT

Lifter Type Article number	Unit	Hexalift V1	Hexalift V2	Hexalift V3	Hexalift V4
		HD240D	HD240G	HM240D	HM240G
Push force max.	N	3200	2000	2000	800
Pull force max. **	N	1600**	1000**	1000**	400**
Max. lengthwise load statical	Nm	1200	1200	1200	1200
Max. lengthwise load dyn.	Nm	500	500	500	500
Max. lateral load statical	Nm	450	450	450	450
Max. lateral load dynamical	Nm	225	225	225	225
Speed (without load)	mm/s	9	18	9	18
Lifter version		2-stage	2-stage	2-stage	2-stage
Max. stroke (custom made)**	mm	700**	700**	700**	700**
Retracted length (Standard)	mm	530/580/630/680	530/580/630/680	530/580/630/680	530/580/630/680
Stroke (Standard)	mm	350/400/450/500	350/400/450/500	350/400/450/500	350/400/450/500
Length/Stroke calculation	mm	Length=stroke +180	Length=stroke +180	Length=stroke +180	Length=stroke +180
Fixing points inner profile***		4 x M8	4 x M8	4 x M8	4 x M8
Fixing points outer profile***		4 x M8	4 x M8	4 x M8	4 x M8
Voltage	V/DC	24	24	24	24
Max. power input	W	144	144	144	144
Max. power consumption	A	7	7	7	7
Cable	mm	1200	1200	1200	1200
Plug	Type	Molex Mini Fit Jr.	Molex Mini Fit Jr.	Molex Mini Fit Jr.	Molex Mini Fit Jr.
Cycle duty (S3)	min	1 / 9 (10 %)	1 / 9 (10 %)	1 / 9 (10 %)	1 / 9 (10 %)
Environment temperature	°C	+10 to +40	+10 to +40	+10 to +40	+10 to +40
Protection rate*	IP	up to 54	up to 54	up to 54	up to 54
Isolation class		III	III	III	III
Weight	kg	12,6	12,6	11,7	11,7
Pulse travel length (2-Hall)	mm/signal	0,0941	0,2092	0,0941	0,2092
Integrated end switches		Yes	Yes	Yes	Yes

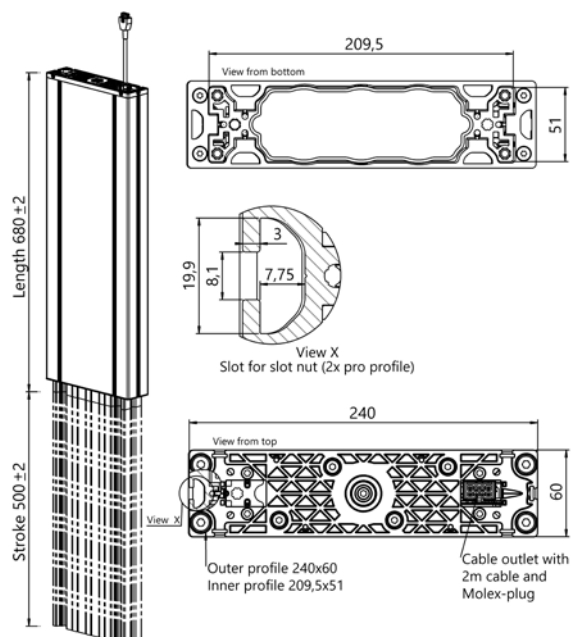
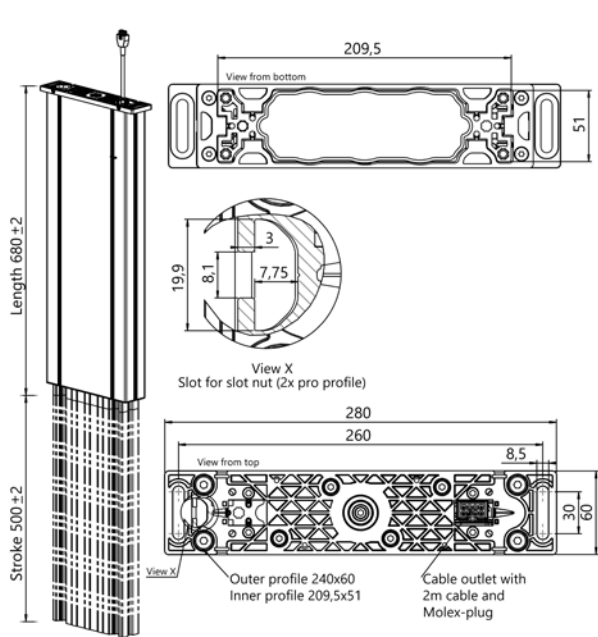
Stroke tolerance (+/- 2mm) and operating speed depending on load and voltage

*Depends on installation position

**Other retracted length/stroke/pull application on demand

*** Screws self cutting/forming according to DIN 7500, thread depth min. L= 2,5 x D
 Controllers and add-on components see accessoires / ESD proof

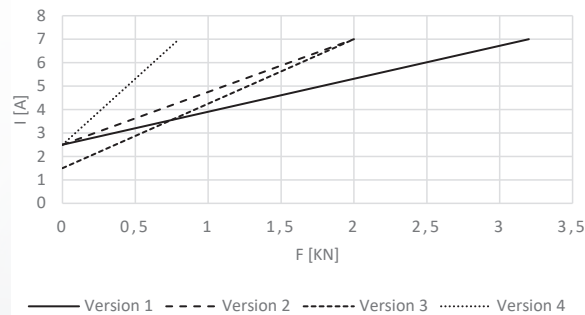
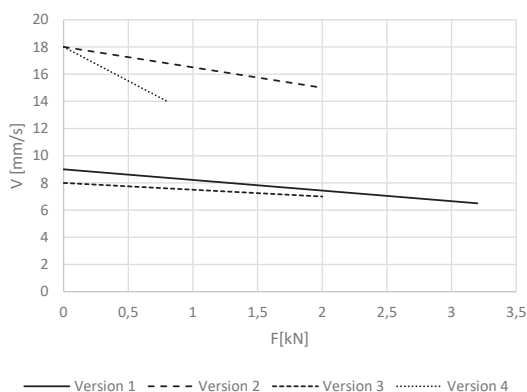
LIFTERS HEXALIFT



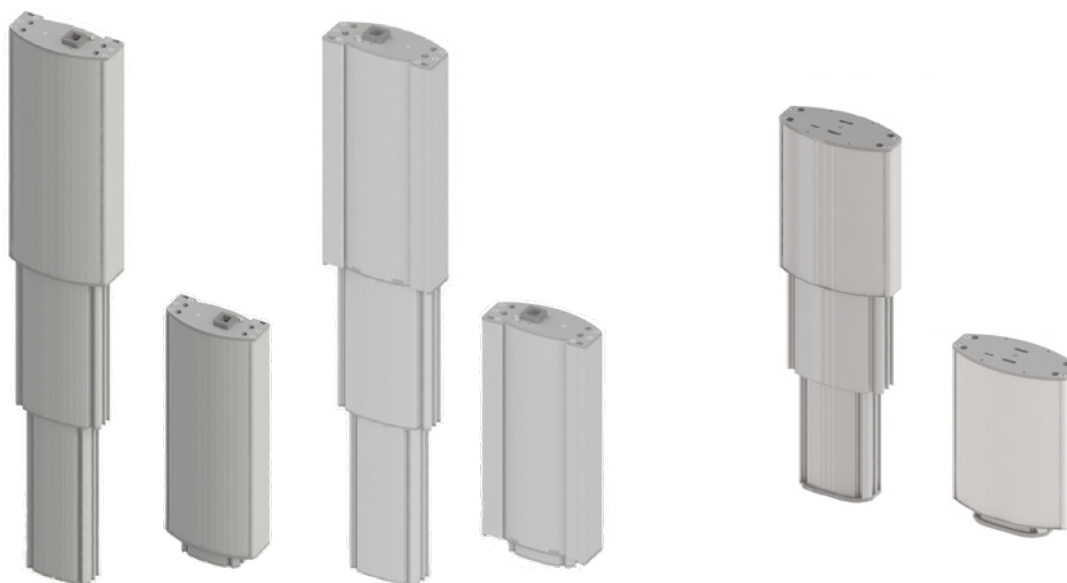
HEXALIFT W. BRACKETS



HEXALIFT W/o BRACKETS



LIFTERS VISOLIFT



VISOLIFT VA

VISOLIFT VS

Lifter type Article number	Unit	Visolift asymetrical VA260L700587HHC24	Visolift symetrical VS260L460375HHAAD	Visolift symetrical VS260L700587AHH24	Visolift symetrical VS260L400400AHH24
Push force max.	N	3150	1500	3150	3150
Pull force max. **	N	1100	750	1100	750
Max. lengthwise load statical	Nm	1200	1200	1200	1200
Max. lengthwise load dyn.	Nm	500	500	500	500
Max. lateral load statical	Nm	450	450	450	450
Max. lateral load dynamical	Nm	225	225	225	225
Speed (without load)	mm/s	13	15	13	13
Lifter version		3-stage	3-stage	3-stage	3-stage
Max. stroke (custom made)**	mm	1000	700	1000	400
Retracted length (Standard)	mm	587	375	587	400
Stroke (Standard)	mm	700	460	700	400
Length/Stroke calculation	mm	Length=Stroke/2+237	Length=Stroke/2+145	Length=Stroke/2+237	Length=Stroke/2+200
Fixing points inner profile***		4xM8	4xM8	4 x M8	4 x M8
Fixing points outer profile***		4xM8	4xM8	4 x M8	4 x M8
Voltage	V/DC	24	24	24	24
Max. power input	W	144	144	144	144
Max. power consumption	A	6	6	6	6
Cable	mm	2000	2000	2000	2000
Plug	Art/Typ	Molex Mini Fit jr.	Molex Mini Fit jr.	Molex Mini Fit jr.	Molex Mini Fit jr.
Cycle duty (S3)	min	1/9 (10%)	1/9 (10%)	1/9 (10%)	1/9 (10%)
Environment temperature	°C	+10 to +40	+10 to +40	+10 to +40	+10 to +40
Protection rate*	IP	up to 54	up to 54	up to 54	up to 54
Isolation class		III	III	III	III
Weight	kg	18,5	18	18,5	18
Pulse travel length (2-Hall)	mm/Signal	0,2268	0,1568	0,2268	0,1568
Integrated end switches		Ja	Ja	Ja	Ja

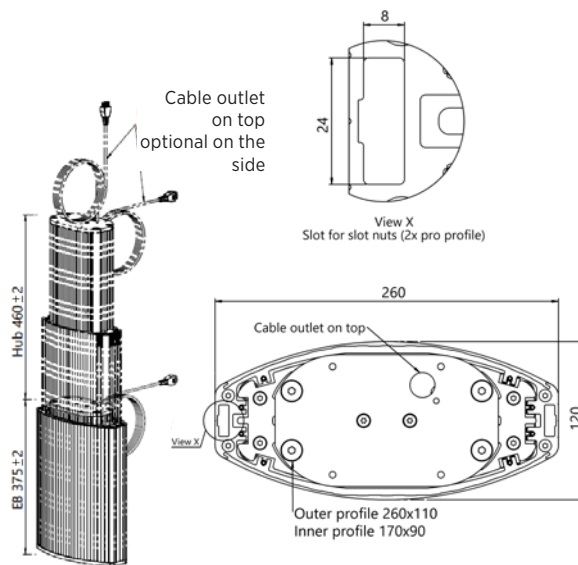
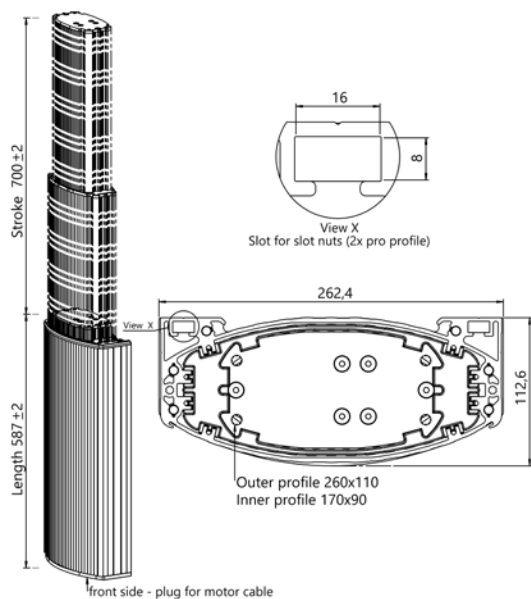
Stroke tolerance (+/- 2mm) and operating speed depending on load and voltage

*Depends on installation position

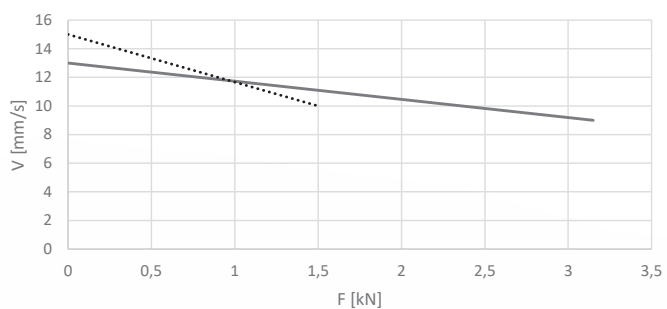
**Other retracted length/stroke/pull application on demand

*** Screws self cutting/forming according to DIN 7500, thread depth min. L= 2,5 x D
 Controllers and add-on components see accessoires

LIFTERS VISOLIFT

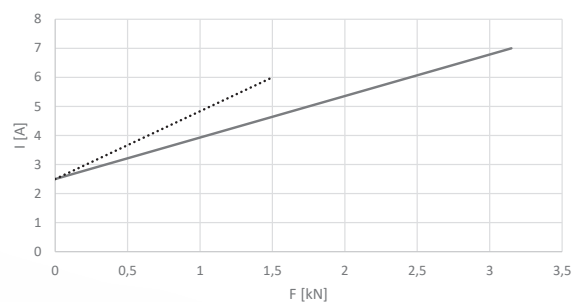


VISOLIFT VA



— VISOLIFT asymmetrisch VISOLIFT symmetrisch

VISOLIFT VS



LIFTERS TR 126



TR 126/2

TR 126/3

TR 126/3 MINI

Lifter type	Unit	TR 126/2	TR 126/3	TR 126/3 mini	TR126/3S mini
Article number		TR126I500640AAR24	TR126K800580AAR24	TR126K200220AAR24	TR126L200220AAE24
Push force max.	N	800	800	800	1500
Pull force max. **	N	400**	400**	400**	400**
Max. lateral load statical	Nm	200	200	200	300
Max. lateral load dynamical	Nm	100	100	100	150
Speed (without load)	mm/s	25	25	25	15
Lifter version		2-stage	3-stage	3-stage	3-stage
Max. stroke (custom made)**	mm	700 (Fmax: 600N)**	1000 (Fmax: 600N)**	360 (Fmax: 600N)**	360 (Fmax: 1200N)**
Retracted length (Standard)	mm	640	580	220	220
Stroke (Standard)	mm	500	800	200	200
Length/Stroke calculation	mm	Length= Stroke+140	Length=Stroke/2+180	Length=Stroke/2+120	Length=Stroke/2+120
Fixing points inner profile***		4 x M5	4 x M5	4 x M5	4 x M5
Fixing points outer profile***		4 x M5	4 x M5	4 x M5	4 x M5
Voltage	V/DC	24	24	24	24
Max. power input	W	144	144	144	144
Max. power consumption	A	6	6	6	6
Cable	mm	1200	1200	1200	1200
Plug	Type	Molex Mini Fit Jr.	Molex Mini Fit Jr.	Molex Mini Fit Jr.	Molex Mini Fit Jr.
Cycle duty (S3)	min	1 / 9 (10 %)	1 / 9 (10 %)	1 / 9 (10 %)	1 / 9 (10 %)
Environment temperature	°C	+10 to +40	+10 to +40	+10 to +40	+10 to +40
Protection rate*	IP	up to 54	up to 54	up to 54	up to 54
Isolation class		III	III	III	III
Weight	kg	6,5	8,6	4,2	4,2
Pulse travel length (2-Hall)	mm/pulse	0,1568	0,3137	0,3137	0,1568
Integrated end switches		Yes	Yes	Yes	Yes

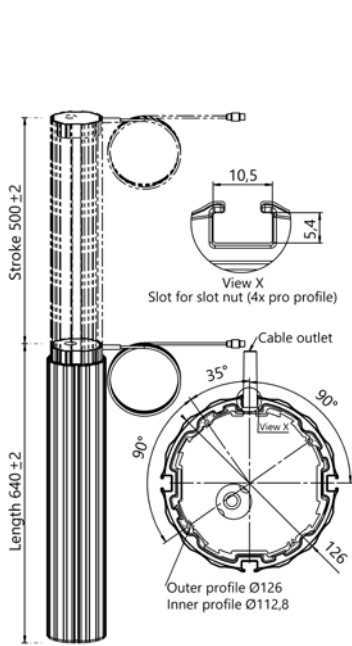
Stroke tolerance (+/- 2mm) and operating speed depending on load and voltage

*Depends on installation position

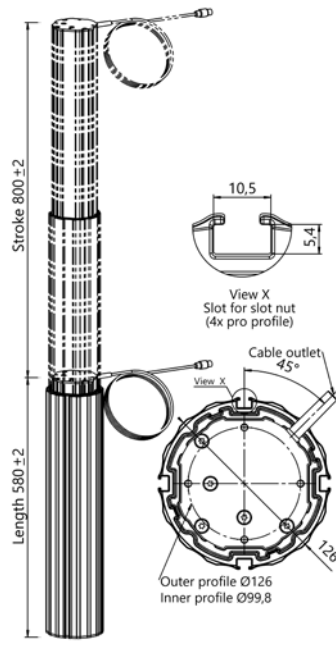
**Other retracted length/stroke/pull application on demand

*** Screws self cutting/forming according to DIN 7500, thread depth min. L= 2,5 x D
 Controllers and add-on components see accessoires

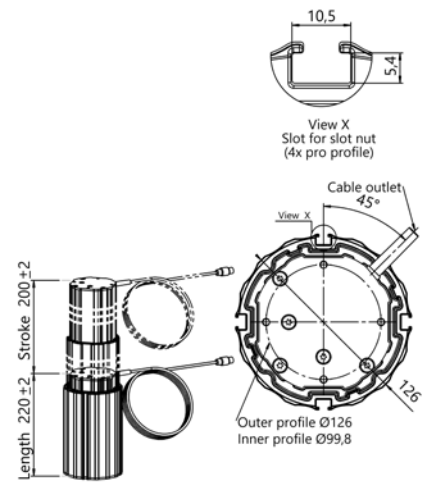
LIFTERS TR 126



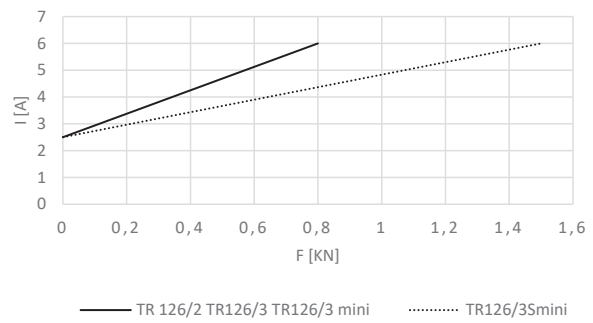
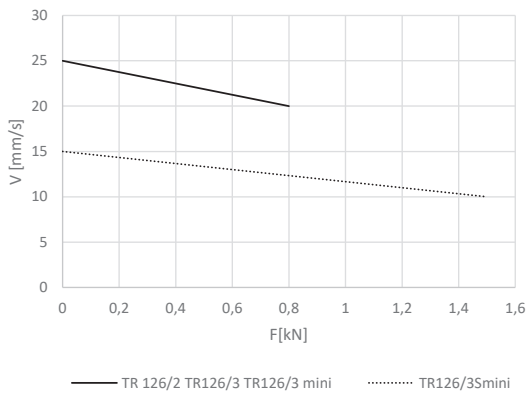
TR 126/2



TR 126/3



TR 126/3 MINI



LIFTERS T 165 AP



T 165 AP

Lifter type	Unit	T 165
Article number		T165I495640BBC24
Push force max.	N	800
Pull force max. **	N	400
Max. lengthwise load statical	Nm	200
Max. lengthwise load dynamical	Nm	100
Max. lateral load statical	Nm	200
Max. lateral load dynamical	Nm	100
Speed (without load)	mm/s	25
Lifter version		2-stage
Max. stroke (custom made)**	mm	700
Retracted length (Standard)	mm	640
Stroke (Standard)	mm	495
Length/Stroke calculation	mm	Length= stroke+145
Fixing points inner profile ***		4 x M8
Fixing points outer profile***		4 x M8
Voltage	V/DC	24
Max. power input	W	144
Max. power consumption	A	6
Cable	mm	1200
Plug	Type	Molex Mini Fit Jr.
Cycle duty (S3)	min	1 / 9 (10 %)
Environment temperature	°C	+10 to +40
Protection rate*	IP	up to 54
Isolation class		III
Weight	kg	5,6
Pulse travel length (2-Hall)	mm/signal	0,319
Integrated end switches		Yes

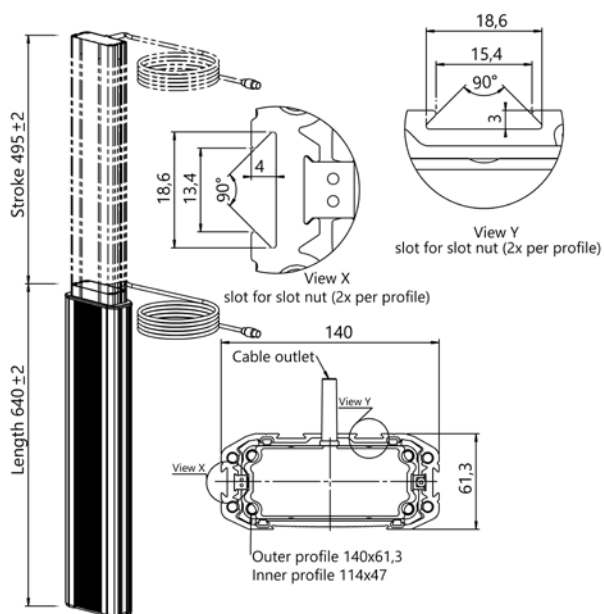
Stroke tolerance (+/- 2mm) and operating speed depending on load and voltage

*Depends on installation position

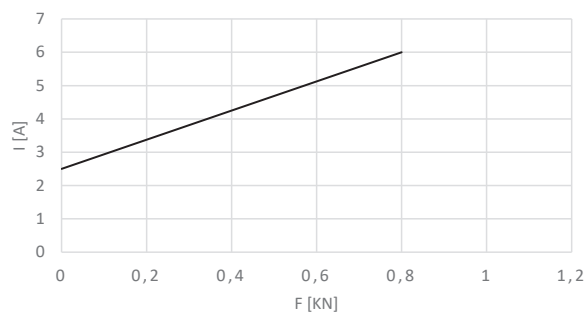
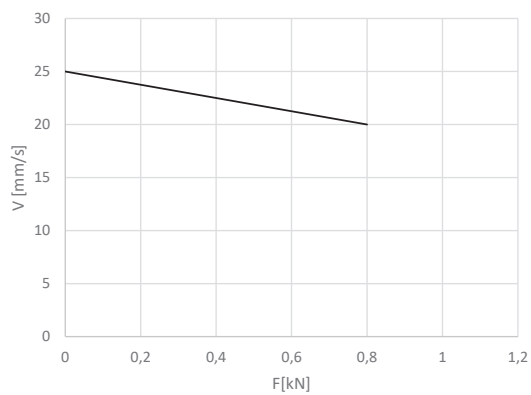
**Other retracted length/stroke/pull application on demand

*** Screws self cutting/forming according to DIN 7500, thread depth min. L= 2,5 x D
 Controllers and add-on components see accessoires

LIFTERS T 165 AP



T 165 AP



LIFTERS T 175



T 175/2

T 175/3

T 175/3 mini

Lifter type	Unit	T 175/2	T 175/3	T 175/3 mini
Article number		T175I500640CCB24	T175K800580CCB24	T175K235245CCB24
Push force max.	N	800	800	800
Pull force max. **	N	400**	400**	400**
Max. lengthwise load statical	Nm	200	200	200
Max. lengthwise load dyn.	Nm	100	100	100
Max. lateral load statical	Nm	200	200	200
Max. lateral load dynamical	Nm	100	100	100
Speed (without load)	mm/s	25	25	25
Lifter version		2-stage	3-stage	3-stage
Max. stroke (custom made)**	mm	700 (max. 600N)	1000 (max. 600N)**	1000 (max. 600N)**
Retracted length (Standard)	mm	640	580	245
Stroke (Standard)	mm	500	800	235
Length/Stroke calculation	mm	Length=stroke+140	Length=stroke/2+180	Length=stroke/2+127,5
Fixing points inner profile***		4 x M6	4 x M6	4 x M6
Fixing points outer profile***		4 x M6	4 x M6	4 x M6
Voltage	V/DC	24	24	24
Max. power input	W	144	144	144
Max. power consumption	A	6	6	6
Cable	mm	1200	1200	1450
Plug	Type	Molex Mini Fit Jr.	Molex Mini Fit Jr.	Molex Mini Fit Jr.
Cycle duty (S3)	min	1 / 9 (10 %)	1 / 9 (10 %)	1 / 9 (10 %)
Environment temperature	°C	+10 to +40	+10 to +40	+10 to +40
Protection rate*	IP	up to 54	up to 54	up to 54
Isolation class		III	III	III
Weight	kg	5,3	7,1	3,8
Pulse travel length (2-Hall)	mm/Signal	0,1568	0,3137	0,3137
Integrated end switches		Yes	Yes	Yes

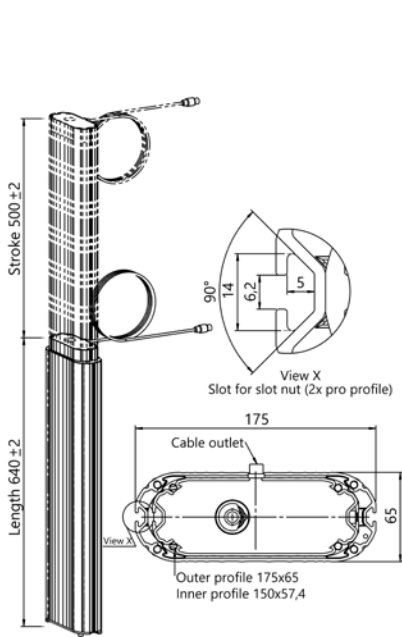
Stroke tolerance (+/- 2mm) and operating speed depending on load and voltage

*Depends on installation position

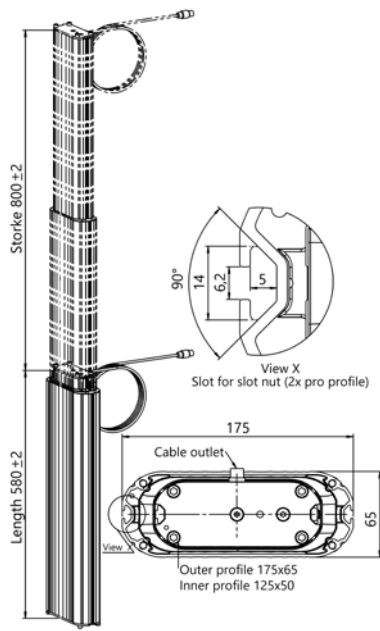
**Other retracted length/stroke/pull application on demand

*** Screws self cutting/forming according to DIN 7500, thread depth min. L= 2,5 x D
 Controllers and add-on components see accessoires

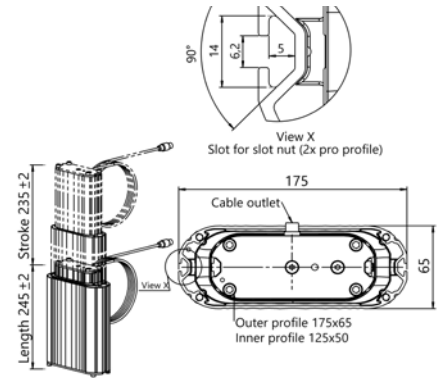
LIFTERS T 175



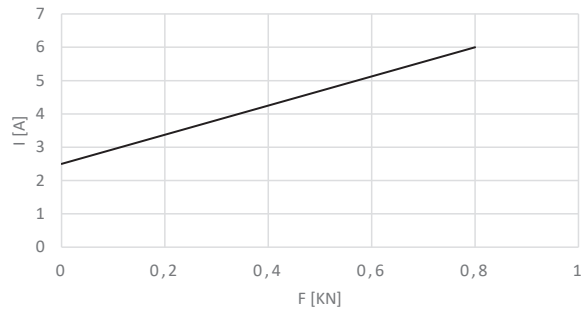
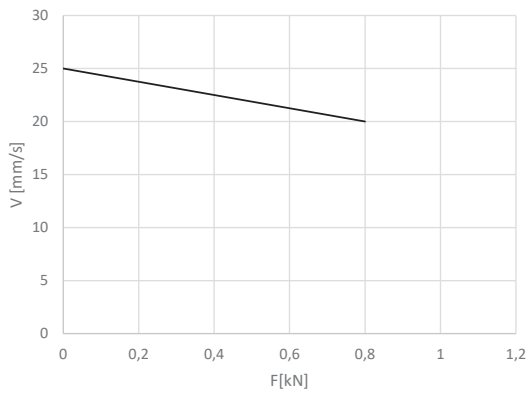
T 175/2



T 175/3



T 175/3 mini



LIFTERS T 180



T 180/2

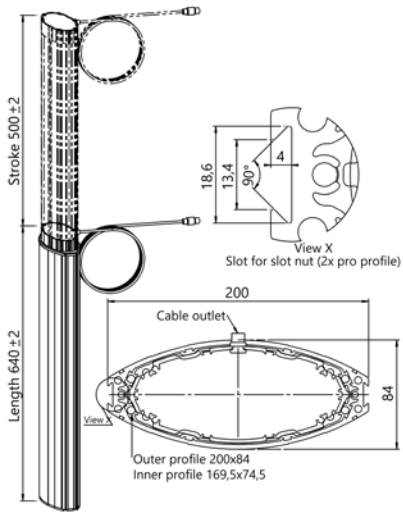
T 180/3 580

T 180/3 320

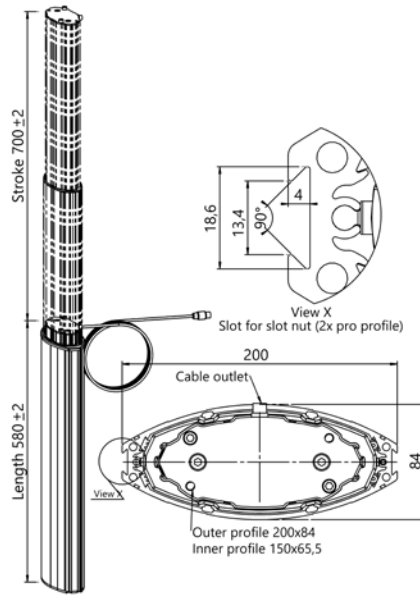
Lifter type	Unit	T 180/2	T 180/2	T 180/3	T 180/3
Article number		T180N500640ADD24	T 180F500640DDD24	T180K700580ADD24	T180K370320ADD24
Push force max.	N	800	1300	800	800
Pull force max. **	N	400**	600**	400**	400**
Max. lengthwise load statical	Nm	200	200	200	200
Max. lengthwise load dyn.	Nm	100	100	100	100
Max. lateral load statical	Nm	200	200	200	200
Max. lateral load dynamical	Nm	100	100	100	100
Speed (without load)	mm/s	25	13	25	25
Lifter version		2-stage	2-stage	3-stage	3-stage
Max. stroke (custom made)**	mm	700 (Fmax: 600N)**	500	1000 (Fmax: 600N)**	500 (Fmax: 600N)**
Retracted length (Standard)	mm	640	640	580	320
Stroke (Standard)	mm	500	500	700	370
Length/Stroke calculation	mm	Length=Stroke+140	Length=Stroke+140	Length=Stroke/2+230	Length=Stroke/2+135
Fixing points inner profile***		4 x M6	4 x M6	4 x M6	4 x M6
Fixing points outer profile***		4 x M6	4 x M6	4 x M6	4 x M6
Voltage	V/DC	24	24	24	24
Max. power input	W	144	144	144	144
Max. power consumption	A	6	6	6	6
Cable	mm	1200	2000	1200	1200
Plug	Type	Molex Mini Fit Jr.	Molex Mini Fit jr.	Molex Mini Fit Jr.	Molex Mini Fit Jr.
Cycle duty (S3)	min	1 / 9 (10 %)	1 / 9 (10 %)	1 / 9 (10 %)	1 / 9 (10 %)
Environment temperature	°C	+ 10 bis + 40	+ 10 bis + 40	+ 10 bis + 40	+ 10 bis + 40
Protection rate*	IP	up to 54	up to 54	up to 54	up to 54
Isolation class		III	III	III	III
Weight	kg	7,5	7,5	10	6,2
Pulse travel length (2-Hall)	mm/signal	0,319	0,1568	0,7659	0,7659
Integrated end switches		Yes	Yes	Yes	Yes

Note: self locking is increased when controller stays connected
 Stroke tolerance (+/- 2mm) and operating speed depending on load and voltage
 *Depends on installation position
 **Other retracted length/stroke/pull application on demand
 *** Screws self cutting/forming according to DIN 7500, thread depth min. L= 2,5 x D
 Controllers and add-on components see accessoires

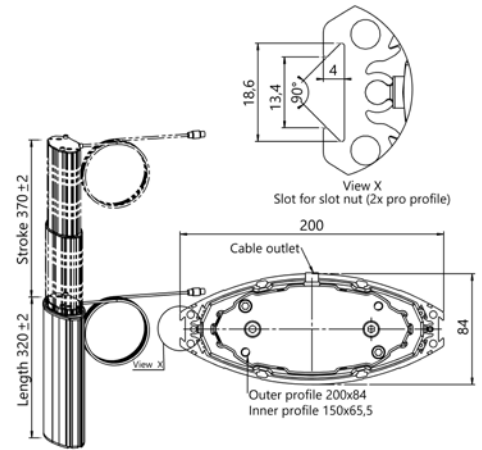
LIFTERS T 180



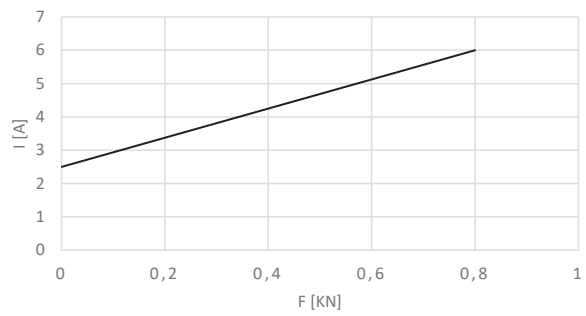
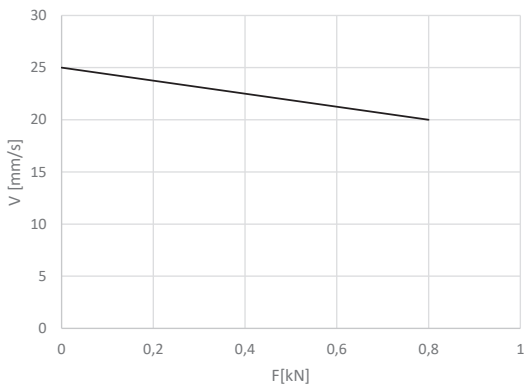
T 180/2



T 180/3 580



T 180/3 320



LINEAR GUIDE LIFTER OVERVIEW

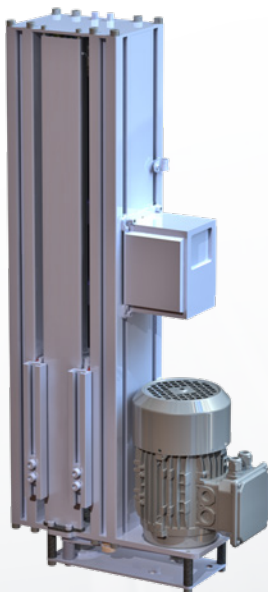
I 67 Koax



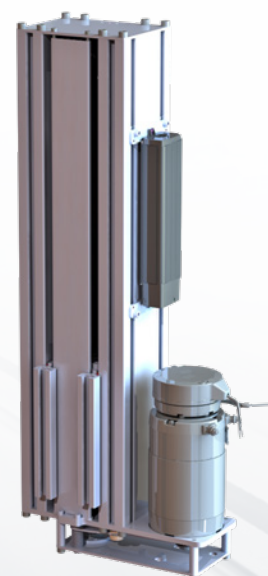
I 140 ST



IS 180 AC



IS 180 DC



LINEAR GUIDE LIFTER I 67 Koax



I 67 Koax

Linear Guide Lifter Article number	Unit	I 67 Koax, Spindle 12x3 IK67 MYYYYZZZMAA24	I 67 Koax, Spindle 12x6 IK67 FYYYYZZZMAA24	I 67 Koax, Spindle 12x12 IK67 IYYYYZZZMAA24	I 67 Koax, Spindle 12x16 IK67 JYYYYZZZMAA24	I 67 Koax, Spindle 12x30 IK67 OYYYYZZZMAA24
Push force max.	t	1000	800	600	400	400
Pull force max. **	N	500	400	300	200	200
Integr. brake in push direction		No/self-locking	Yes	Yes	Yes	Yes
Max. side load statical	Nm	150	150	150	150	150
Max. side load dynamical	Nm	100	100	100	100	100
Speed (without load)	mm/s	8	15	25	35	70
Length/stroke max.	mm	2000/1620	2000/1620	2000/1620	2000/1620	2000/1610
Slider length**	mm	160	160	160	160	160
Length/Stroke calculation	mm	Length=stroke+380	Length=stroke+380	Length=stroke+380	Length=stroke+380	Length=stroke+380
Fixing points***		4 x M6	4 x M6	4 x M6	4 x M6	4 x M6
Voltage	V/DC	24	24	24	24	24
Max. power input	W	144	144	144	144	144
Max. power consumption	A	6	6	6	6	6
Cable	mm	2300	2300	2300	2300	2300
Plug	Type	Molex Mini Fit Jr.	Molex Mini Fit Jr.	Molex Mini Fit Jr.	Molex Mini Fit Jr.	Molex Mini Fit Jr.
Cycle duty (S3)	min	1 / 9 (10 %)	1 / 9 (10 %)	1 / 9 (10 %)	1 / 9 (10 %)	1 / 9 (10 %)
Environment temperature	°C	+10 to +40	+10 to +40	+10 to +40	+10 to +40	+10 to +40
Protection rate*	IP	up to 54	up to 54	up to 54	up to 54	up to 54
Isolation class		III	III	III	III	III
Weight	kg	Length1000mm approx. 4,5kg				
Pulse travel length (2-Hall)	mm/signal	0,0875	0,1714	0,3429	0,4571	0,8571
Integrated end switches		Yes	Yes	Yes	Yes	Yes

Stroke tolerance (+/- 2mm) and operating speed depending on load and voltage

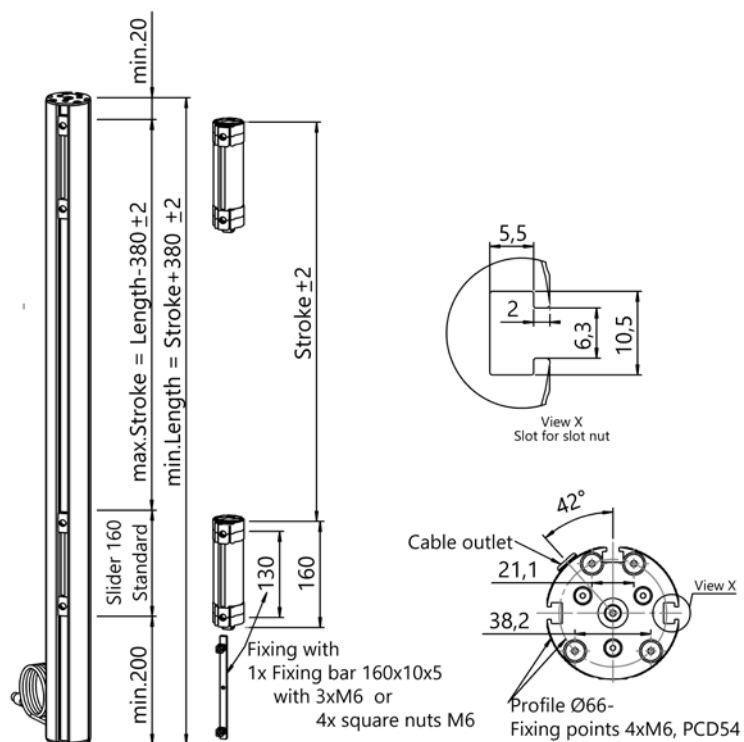
*Depends on installation position

**Other length on demand

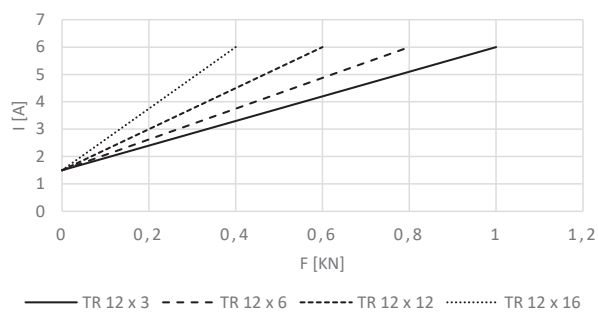
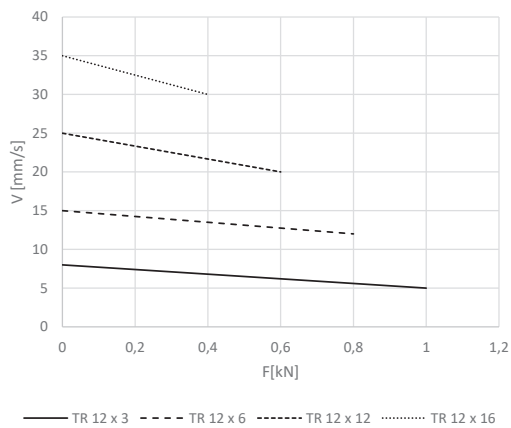
*** Screws self cutting/forming according to DIN 7500, thread depth min. L= 2,5 x D

Controllers and add-on components see accessoires

LINEAR GUIDE LIFTER I 67 Koax



I 67 Koax



LINEAR GUIDE LIFTER I 140 ST



I 140 ST

Linear Guide Lifter	Unit	I 140 ST, Spindle 12x3	I 140 ST, Spindle 12x6	I 140 ST, Spindle 12x12
Article number		IS140MYYYYYZZZMDD24	IS140FYYYYYZZZMDD24	IS140IYYYYZZZMDD24
Push force max.	N	1800	800	300
Pull force max.**	N	900	400	150
Max. side load statical	Nm	200	200	200
Max. side load dynamical	Nm	150	150	150
Speed (without load)	mm/s	10	25	40
Length/stroke max.	mm	2000/1740	2000/1740	2000/1740
Slider length**	mm	175**	175**	175**
Length/Stroke calculation	mm	Length=stroke+260	Length=stroke+260	Length=stroke+260
Fixing points***		4 x M6	4 x M6	4 x M6
Voltage	V/DC	24	24	24
Max. power input	W	144	144	144
Max. power consumption	A	6	6	6
Cable	mm	2200	2200	2200
Plug	Type	Molex Mini Fit Jr.	Molex Mini Fit Jr.	Molex Mini Fit Jr.
Cycle duty (S3)	min	1 / 9 (10 %)	1 / 9 (10 %)	1 / 9 (10 %)
Environment temperature	°C	+10 to +40	+10 to +40	+10 to +40
Protection rate*	IP	up to 42	up to 42	up to 42
Isolation class		III	III	III
Weight	kg		Length 1000mm approx. 9,5	
Pulse travel length (2-Hall)	mm/signal	0,1949	0,383	0,766
Integrated end switches		Yes	Yes	Yes

Stroke tolerance (+/- 2mm) and operating speed depending on load and voltage

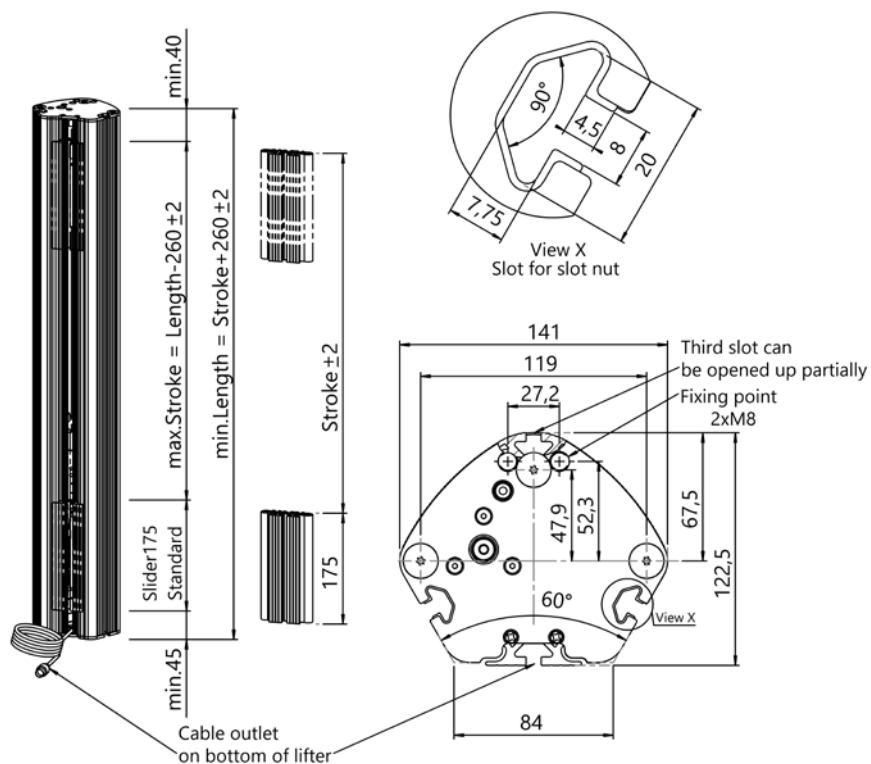
*Depends on installation position

**Other length on demand

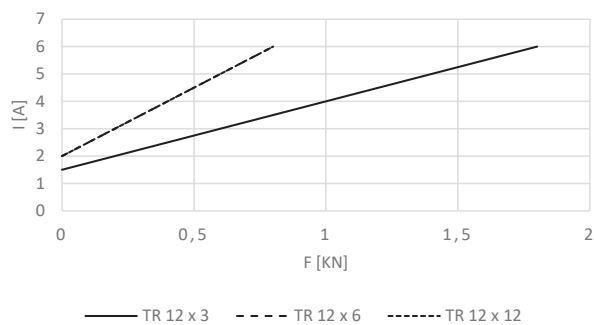
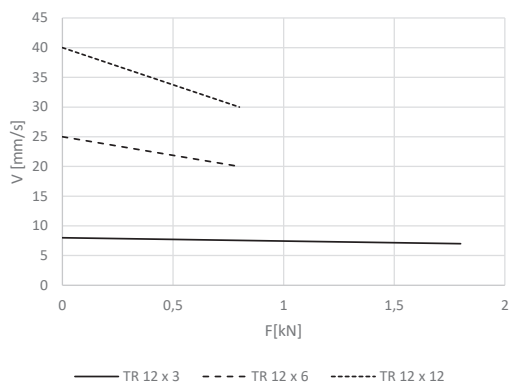
*** Screws self cutting/forming according to DIN 7500, thread depth min. L= 2,5 x D

Controllers and add-on components see accessoires

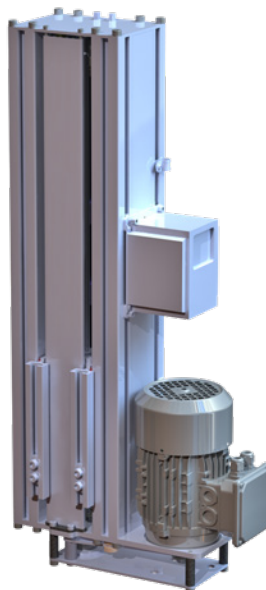
LINEAR GUIDE LIFTER I 140 ST



I 140 ST



LINEAR GUIDE LIFTER IS 180 AC



IS 180 AC

Linear Guide Lifter	Unit	IS180Z04500800EEBA1 (KGT 16x10)
Article number		
Push force max.	N	1000
Pull force**	N	-
Torque static	Nm	2200
Torque dynamic	Nm	1100
Speed (no load)	mm/s	120
Installation dimensions/stroke Standard**	mm	800/450 (max. 1000/650)
Runner profile length**	mm	175
Installation dimension formula	mm	Length: stroke + 350
Fixing points on profile***		Slot nuts M8
Voltage	V/DC	230V/50Hz
Max. power input	W	550
Max. power consumption	A	5
Cable length	mm	2000
Plug type	Type	EU-Plug
Duty cycle (S3)	min	S3 90% based on 10 min
Environment temperature	°C	+ 10 to +40
Protection rate*	IP	40
Insulation class		I
Weight	kg	36
Integrated limit switches****		yes

Stroke tolerance (+/- 2mm) and operating speed depending on load and voltage

*Depends on installation position

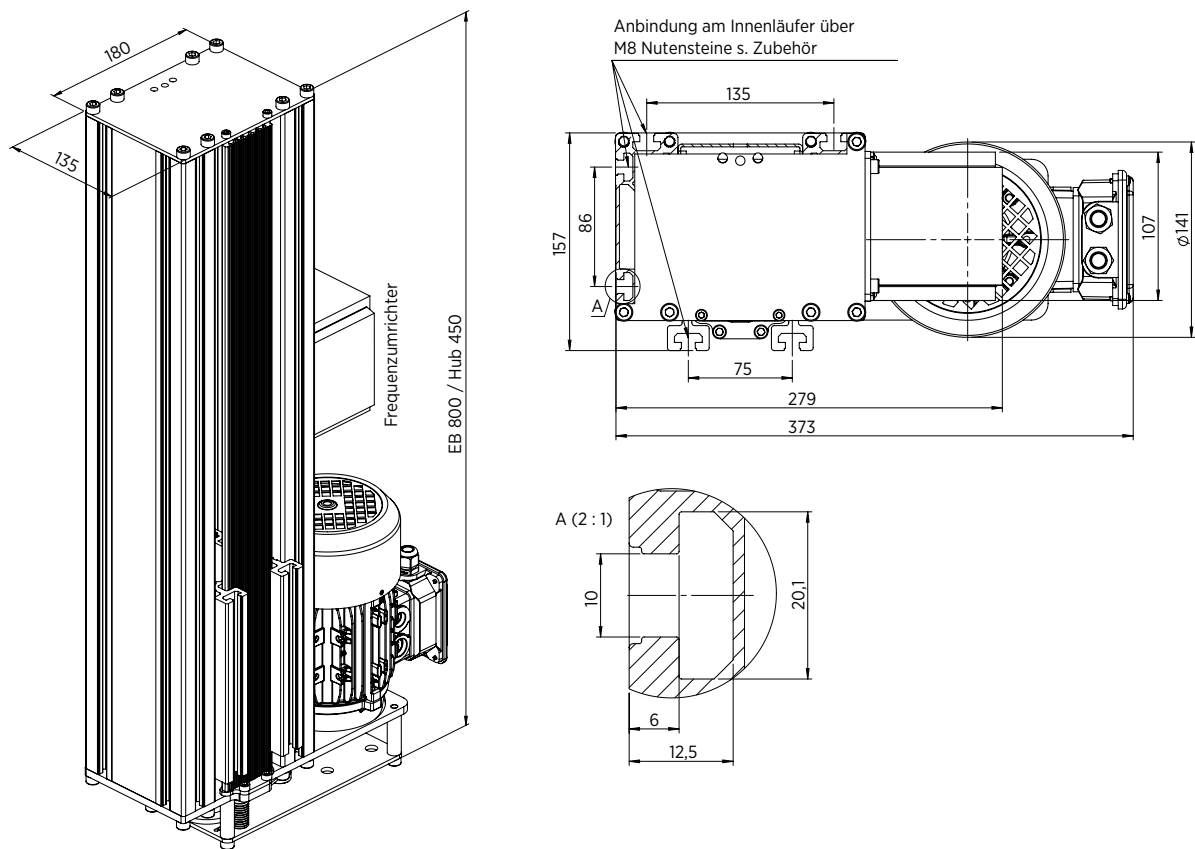
**Other length on demand

***Slot nuts M8

****Adjustable end switch

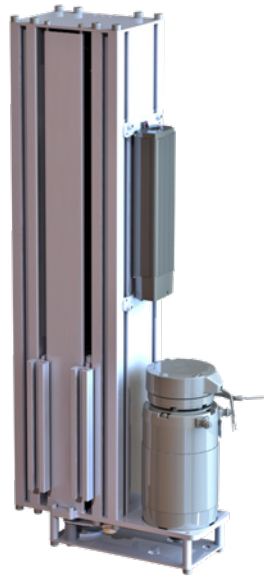
Useable Footswitch EL-Fuss-II-LD7

LINEAR GUIDE LIFTER IS 180 AC



The process lift IS 180 AC is a linear guide column, open single sided with a motor-driven adjustable, runner profile running on roller bearings. Due to the extremely stable bearings, high torques of up to 1100 Nm can be absorbed and loads of up to 1000 N can be moved. With a duty cycle of max. 90% and travel speeds of up to 100mm/s, the system is particularly suitable for industrial applications with clocked processes such as in packaging systems or for height compensation in conveyor technology. The AC motor is operated via a frequency converter. The parameters of this can be adapted to the specific application. A ball screw drive with a backup nut drives the runner via a toothed belt.

LINEAR GUIDE LIFTER IS 180 DC



IS 180 DC

Linear Guide Lifter	Unit	IS180Q04350800EEC24
Article number		Trapezoidal thread Tr 20 x 4
Push force max.	N	1000
Pull force	N	-
Torque dynamic	Nm	2200
Drehmoment dynamisch	Nm	1100
Speed (no load)	mm/s	40
Installation dimensions/stroke Standard**	mm	800/435 (max. 1000/635)
Runner profile length**	mm	175
Installation dimension formula	mm	Length: stroke + 365
Fixing points on profile***		Slot nuts M8
Voltage	V/DC	30V
Max. power input	W	270
Max. power consumption	A	9
Cable length	mm	2000
Plug type	Type	EU-Plug
Duty cycle (S3)	min	S3 50% based on 10 min
Environment temperature	°C	+ 10 to +40
Protection rate*	IP	40
Insulation class		I
Weight	kg	36
Integrated limit switches****		yes

Stroke tolerance (+/- 2mm) and operating speed depending on load and voltage

*Depends on installation position

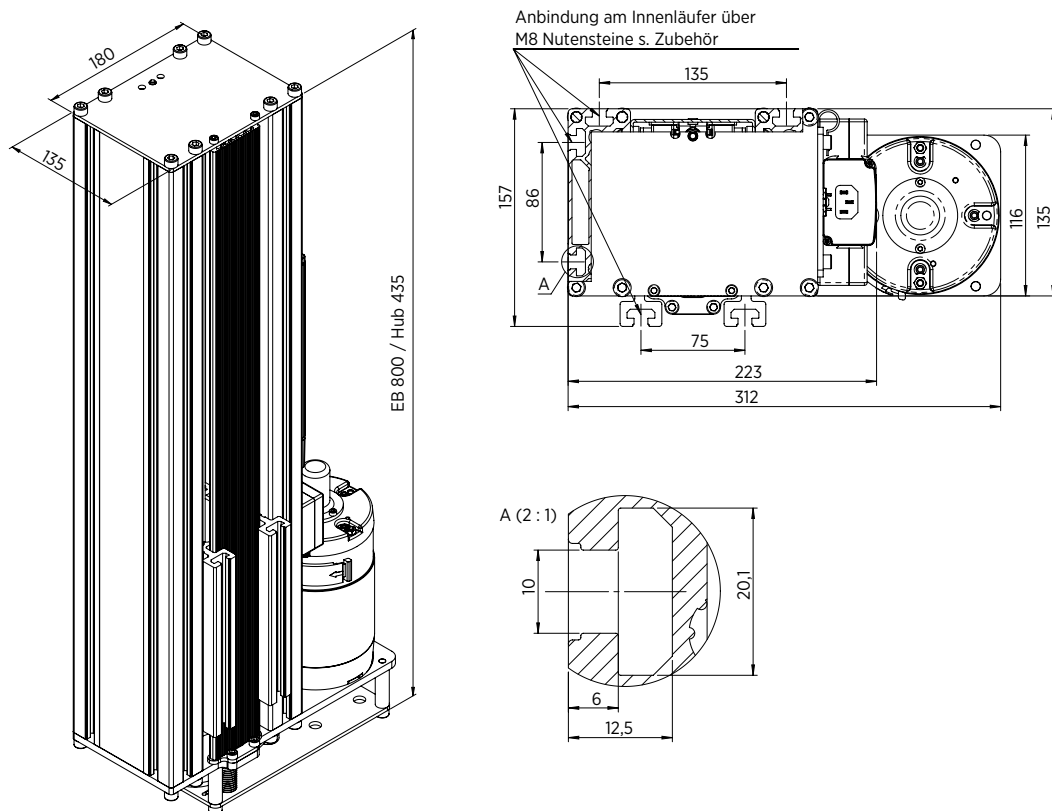
**Other length on demand

***Slot nuts M8

****Adjustable end switch

Useable Footswitch EL-Fuss-II-LD7

LINEAR GUIDE LIFTER IS 180 DC



The process lift IS 180 DC is a linear guide column, open single sided with a motor-driven adjustable, runner profile running on roller bearings. Due to the extremely stable bearings, high torques of up to 1100 Nm can be absorbed and loads of up to 1000 N can be moved. With a duty cycle of max. 50% and travel speeds of up to 40mm/s, the system is particularly suitable for industrial applications with clocked processes such as in packaging systems or for height compensation in conveyor technology. The DC motor is operated via a Syncontrol type motor controller. The parameters of this controller can be adapted to the specific application. The process lift and its runner profile is driven by a trapezoidal thread spindle. Synchronous operation of two systems is also possible.

ACTUATOR OVERVIEW

**100/12
100/50**



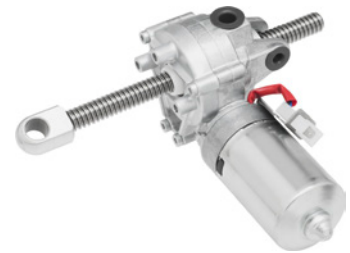
200 S



110 D



200 KS



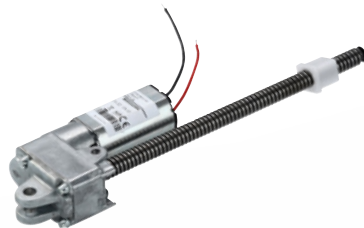
110 E



DR-HM D



120 S



Koax D



120 SE



Koax E



S39



ACTUATOR S39



ACTUATOR S39

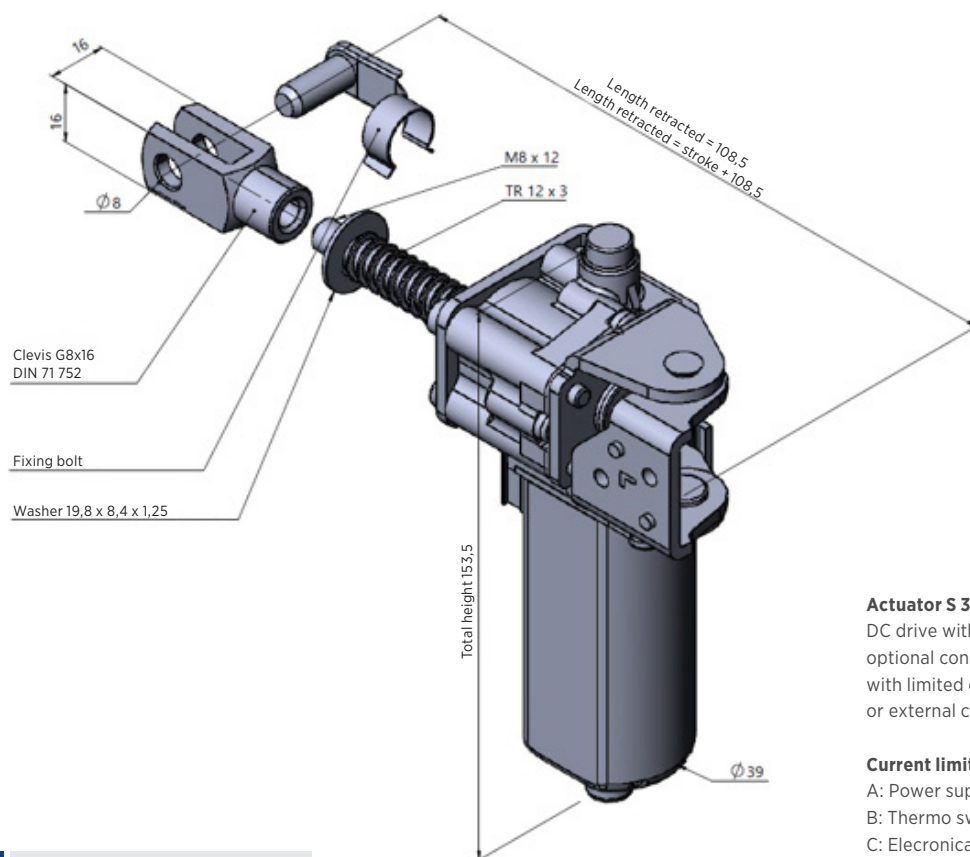
Actuator	Unit	S39SYYYYZZZZVVA24	S39SYYYYZZZZVVA12
Article number			
Push force max.	N	1800	1800
Pull force max.	N	1800	1800
Speed (without load)	mm/s	20	10
Power rating	W	36	18
Max Stroke**	mm	140	140
Overall length with clevis	mm	107,5	107,5
Voltage	V/DC	24	12
Max. power input	W	336	168
Max. power consumption	A	1,5 - 14	1,5 - 14
Cable length	mm	2600*	2600*
Cycle Duty (S3)	min	1/9 (10%)	1/9 (10%)
Environment temperature	°C	0...40	0...40
Protection rate	IP	IP32	IP32
Isolation class		E	E
Weight (without spindle)	kg	0,6	0,6
Gear reduction		1:26	1:26
Integrated Hallsensor		Yes (1-Hall)	Yes (1-Hall)

Stroke tolerance +/- 2mm, force and operating speed depending on load and voltage

* Plug type Molex Mini Fit jr. if used with hallsensor

**related to spindle bending at safety factor SF=2

ACTUATOR S39



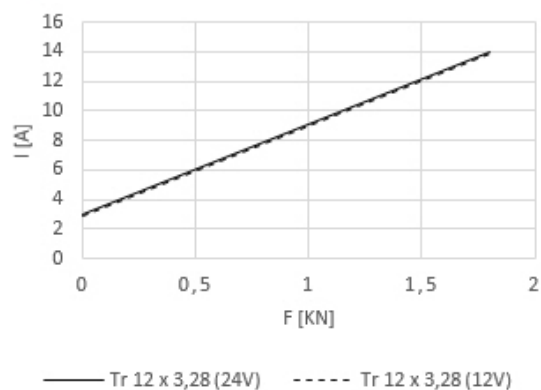
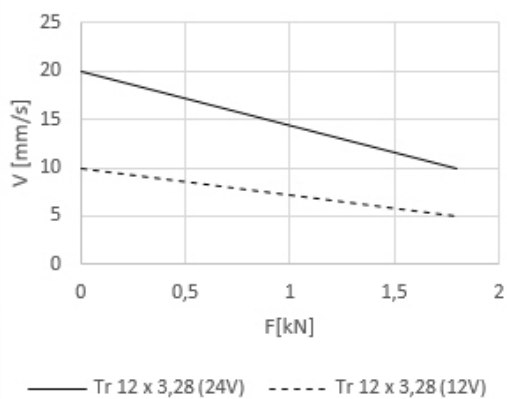
Actuator S 39

DC drive with worm gear, push spindle with optional connection points. Blocking drive with limited current supply to 8A permissible or external cut-off (preferred).

Current limiting through:

- A: Power supply
- B: Thermo switch
- C: Electronical current limiter
- D: Hall sensor

ACTUATOR S39



ACTUATOR TYP 100



TYP 100

Actuator	Unit	100/12, Spindle 10x3 101CYYYYYZZZZAAA24	100/12, Spindle 10x6 101NYYYYZZZZAAA24	100/50, Spindle 10x3 105CYYYYYZZZZAAA24	100/50, Spindle 10x6 105NYYYYZZZZAAA24
Article number					
Push force max.	N	500	250	1400	700
Pull force max. **	N	500	250	1400	700
Speed (without load)	mm/s	20	40	5	10
Power rating	W	10...40	10...40	10...40	10...40
Max. stroke**	mm	301	426	180	255
Overall length with rod eye	mm	Length: Stroke + 26mm	Length: Stroke + 26mm	Length: Stroke + 26mm	Length: Stroke + 26mm
Overall length with clevis	mm	Length: Stroke + 36mm	Length: Stroke + 36mm	Length: Stroke + 36mm	Length: Stroke + 36mm
Overall length w. pivot mount	mm	Length: Stroke + 41mm	Length: Stroke + 41mm	Length: Stroke + 41mm	Length: Stroke + 41mm
Voltage	V/DC	12...36	12...36	12...36	12...36
Max. power input	W	50...80	50...80	50...80	50...80
Max. power consumption	A	1,0...3,5	1,0...3,5	1,0...3,5	1,0...3,5
Plug		Blade terminal 4,8x0,5	Blade terminal 4,8x0,5	Blade terminal 4,8x0,5	Blade terminal 4,8x0,5
Cycle duty (S3)	min	1 / 9 (10 %)	1 / 9 (10 %)	1 / 9 (10 %)	1 / 9 (10 %)
Environment temperature	°C	0...40	0...40	0...40	0...40
Protection rate*	IP	up to 41	up to 41	up to 41	up to 41
Isolation class		E	E	E	E
Weight (without spindle)	kg	0,45	0,45	0,45	0,45
Gear reduction		1:12	1:12	1:50	1:50
Integrated end switches		No	No	No	No

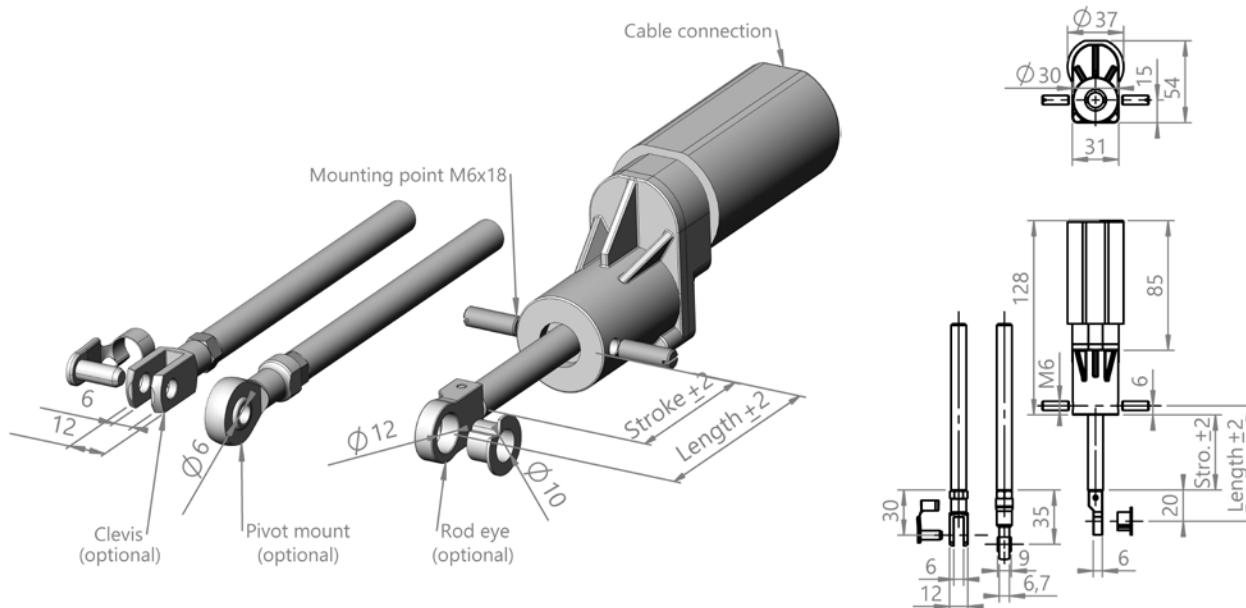
Stroke tolerance (+/- 2mm) force and operating speed depending on load and voltage

*Depends on installation position

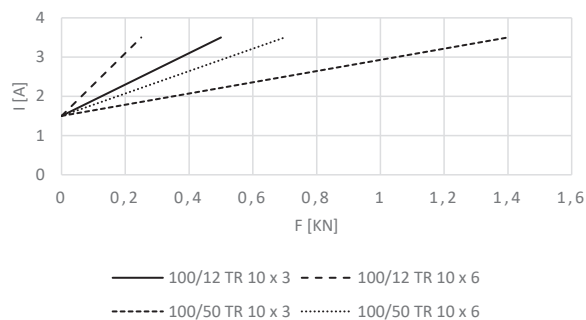
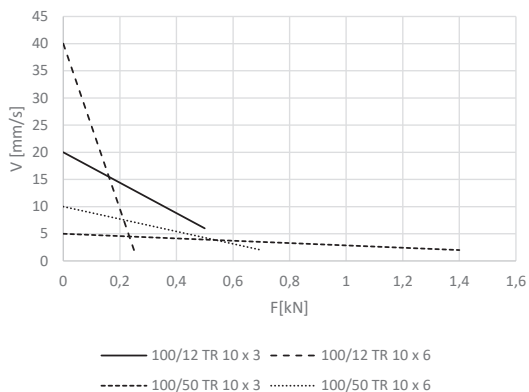
**Related to spindle bending at safety factor SF=2

Controllers and add-on components see accessoires

ACTUATOR TYP 100



TYP 100



ACTUATOR TYP 110 D



TYP 110 D

Actuator Article number	Unit	110 D, Spindle 10x3 11DCYYYYZZZZCCC24	110 D, Spindle 10x6 11DNYYYYZZZZCCC24	110 D, Spindle 12x12 11DIYYYYZZZZCCC24	110 D, Spindle 12x16 11DJYYYYZZZZCCC24	110 D, Spindle 12x3 11DMYYYYZZZZCCC24
Push force max.	N	1600	1000	800	600	1600
Pull force max. **	N	1600	1000	800	600	1600
Speed (without load)	mm/s	5	10	20	25	5
Power rating	W	30...80	30...80	30...80	30...80	30...80
Max. stroke**	mm	168	213	317	366	272
Overall length	mm	Length= Stroke + 69mm	Length= Stroke + 69mm	Length= Stroke + 69mm	Length= Stroke + 69mm	Length= Stroke + 69mm
Voltage	V/DC	12...36	12...36	12...36	12...36	12...36
Max. power input	W	200	200	200	200	200
Max. power consumption	A	1,5...8,0	1,5...8,0	1,5...8,0	1,5...8,0	1,5...8,0
Cable length	mm	200	200	200	200	200
Cycle duty (S3)	min	1 / 9 (10 %)	1 / 9 (10 %)	1 / 9 (10 %)	1 / 9 (10 %)	1 / 9 (10 %)
Environment temperature	°C	0...40	0...40	0...40	0...40	0...40
Protection rate*	IP	up to 32	up to 32	up to 32	up to 32	up to 32
Isolation class		E	E	E	E	E
Weight (without spindle)	kg	0,75	0,75	0,75	0,75	0,75
Gear reduction		1:62	1:62	1:62	1:62	1:62
Integrated end switches		No	No	No	No	No

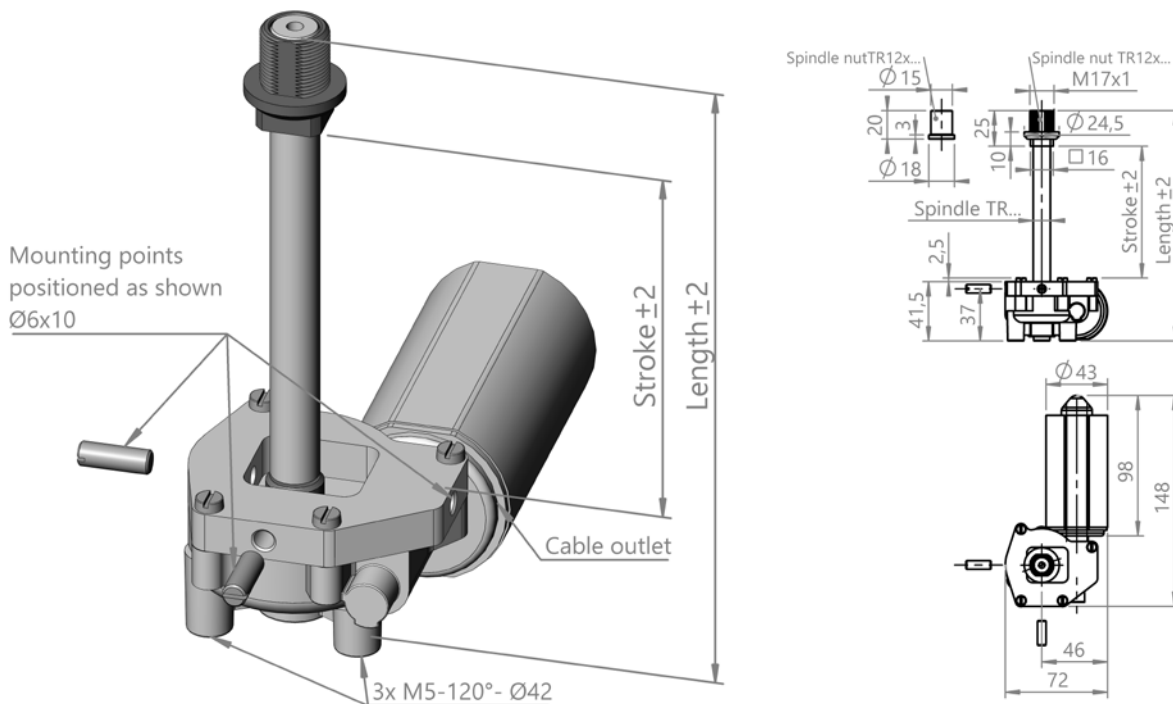
Stroke tolerance (+/- 2mm) force and operating speed depending on load and voltage

*Depends on installation position

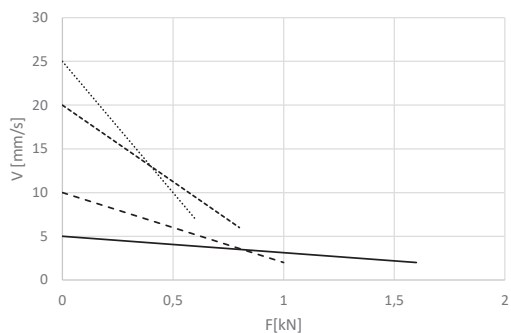
**Related to spindle bending at safety factor SF=2

Controllers and add-on components see accessoires

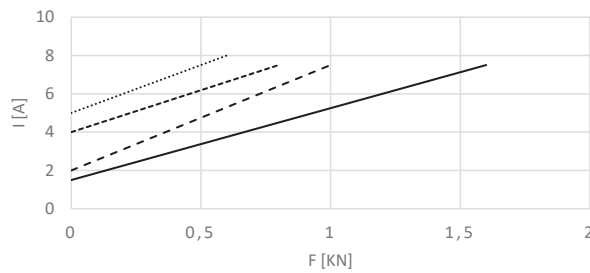
ACTUATOR TYP 110 D



TYP 110 D



— TR 10/12 x 3 - - - TR 10 x 6 ····· TR 12 x 12 - · - · TR 12 x 16



— TR 10/12 x 3 - - - TR 10 x 6 ····· TR 12 x 12 - · - · TR 12 x 16

ACTUATOR TYP 110 E



TYP 110 E

Actuator	Unit	110 E, Spindle 10x3	110 E, Spindle 10x6	110 E, Spindle 12x12	110 E, Spindle 12x16	110 E, Spindle 12x16
Article number		11ECYYYYZZZZDDD24	11ENYYYYZZZZDDD24	11EIYYYYZZZZDDD24	11EJYYYYZZZZDDD24	11EJYYYYZZZZDDD24
Push force max.	N	1600	1000	800	600	1600
Pull force max. **	N	1600	1000	800	600	1600
Speed (without load)	mm/s	5	10	20	25	5
Power rating	W	30....80	30....80	30....80	30....80	30....80
Max. stroke**	mm	168	213	317	366	288
Overall length 1	mm	Length 1= Stroke + 48,5	Length 1= Stroke + 48,5	Length 1= Stroke + 48,5	Length 1= Stroke + 48,5	Length 1= Stroke + 48,5
Overall length 2	mm	Length 2= Stroke +85	Length 2= Stroke +85	Length 2= Stroke +85	Length 2= Stroke +85	Length 2= Stroke +85
Voltage	V/DC	12....36	12....36	12....36	12....36	12....36
Max. power input	W	200	200	200	200	200
Max. power consumption	A	1,5....8,0	1,5....8,0	1,5....8,0	1,5....8,0	1,5....8,0
Cable length	mm	1100	1100	1100	1100	1100
Cycle duty (S3)	min	1 / 9 (10 %)	1 / 9 (10 %)	1 / 9 (10 %)	1 / 9 (10 %)	1 / 9 (10 %)
Environment temperature	°C	0....40	0....40	0....40	0....40	0....40
Protection rate*	IP	up to 32	up to 32	up to 32	up to 32	up to 32
Isolation class	E	E	E	E	E	E
Weight (100mm stroke)	kg	0,75	0,75	0,75	0,75	0,75
Gear reduction		1:62	1:62	1:62	1:62	1:62
Integrated end switches		Yes	Yes	Yes	Yes	Yes

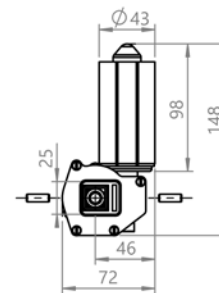
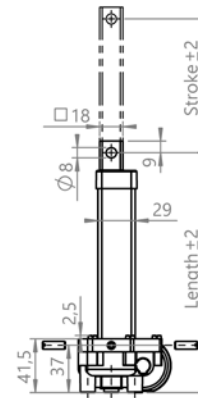
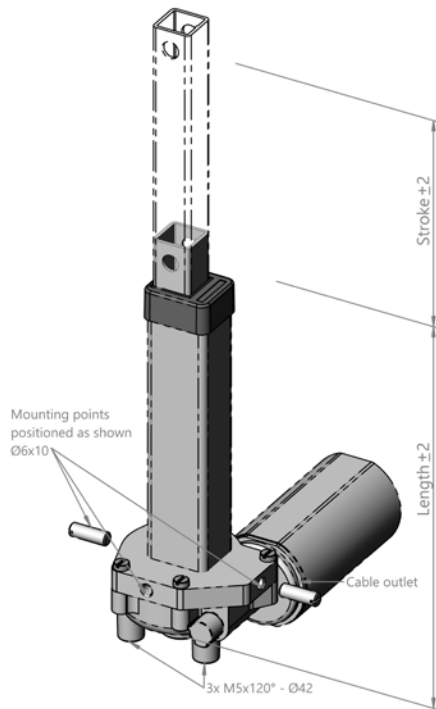
Stroke tolerance (+/- 2mm) and operating speed depending on load and voltage

*Depends on installation position

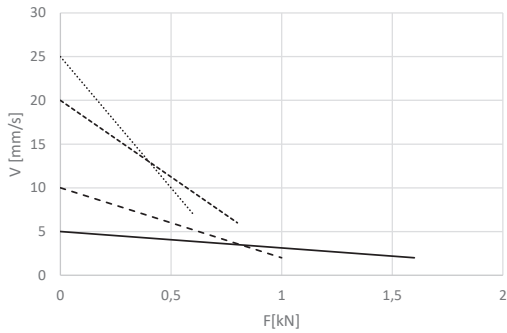
**Related to spindle bending at safety factor SF=2

Controllers and add-on components see accessoires

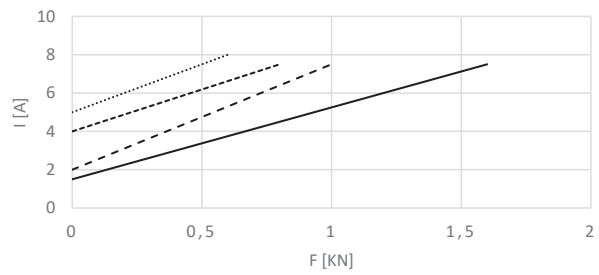
ACTUATOR TYP 110 E



TYP 110 E



— TR 10/12 x 3 - - - TR 10 x 6 ····· TR 12 x 12 ····· TR 12 x 16



— TR 10/12 x 3 - - - TR 10 x 6 ····· TR 12 x 12 ····· TR 12 x 16

ACTUATOR TYP 120 S



TYP 120 S

Actuator Article number	Unit	120 S, Spindle 10x3 12SMYYYYZZZMFFXX	120 S, Spindle 10x6*** 12SNYYYYZZZMFFXX	120 S, Spindle 12x12*** 12SIYYYYZZZMFFXX	120 S, Spindle 12x16*** 12SJYYYYZZZMFFXX
Push force 12 - 24V	N	1000	500	400	300
Pull force 12 - 24V	N	1000	500	400	300
Push force 24 - 36V	N	1200	600	500	400
Pull force 24 - 36V	N	1200	600	500	400
Speed 12 - 24V	mm/s	10	20	40	45
Speed 24 - 36V	mm/s	12	25	45	50
Power rating	W	10...40	10...40	10...40	10...40
Max. stroke**	mm	213	301	449	518
Overall length	mm	Stroke + 70mm	Stroke + 70mm	Stroke + 70mm	Stroke + 70mm
Voltage	V/DC	12...24 or 24...36	12...24 or 24...36	12...24 or 24...36	12...24 or 24...36
Max. power input	W	50...80	50...80	50...80	50...80
Max. power consumption	A	1,5...4,0	1,5...4,0	1,5...4,0	1,5...4,0
Cable length****	mm	1500	1500	1500	1500
Cycle duty (S3)	min	1 / 9 (10%)	1 / 9 (10%)	1 / 9 (10%)	1 / 9 (10%)
Environment temperature	°C	0...40	0...40	0...40	0...40
Protection rate*	IP	up to 41	up to 41	up to 41	up to 41
Isolation class		E	E	E	E
Weight (without spindle)	kg	0,35	0,35	0,35	0,35
Gear reduction		1:27	1:27	1:27	1:27
Pulse travel length (1-Hall)	mm/pulse	0,1105	0,2211	0,442	0,5926
Integrated end switches		No	No	No	No

Stroke tolerance (+/- 2mm) and operating speed depending on load and voltage

* Depends on installation position

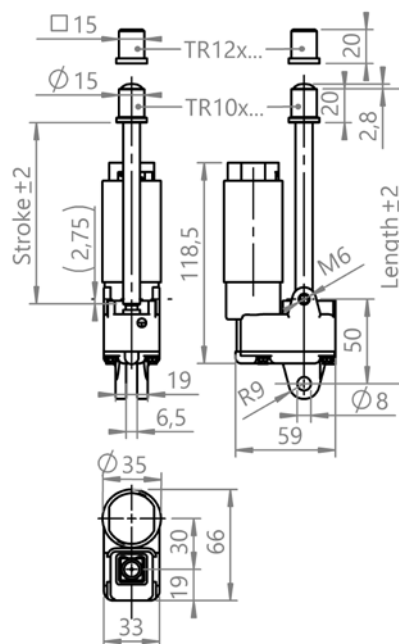
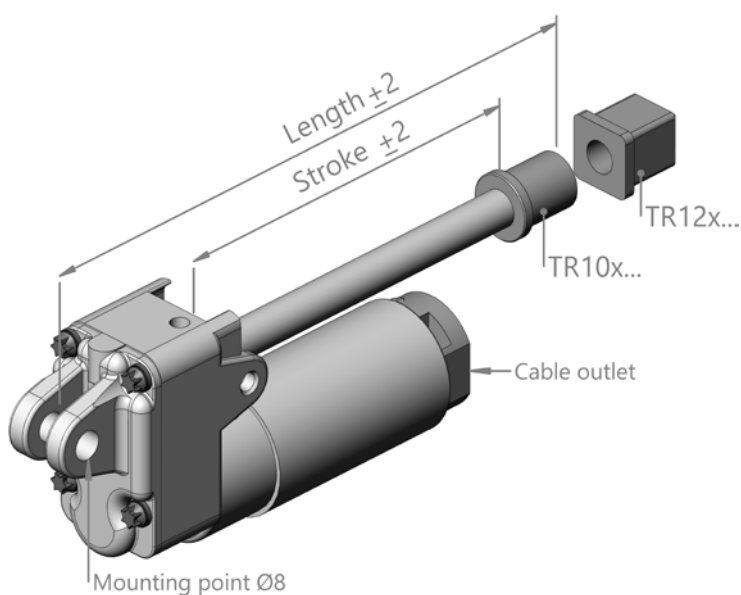
** Related to spindle bending at safety factor SF=2

*** No self-locking

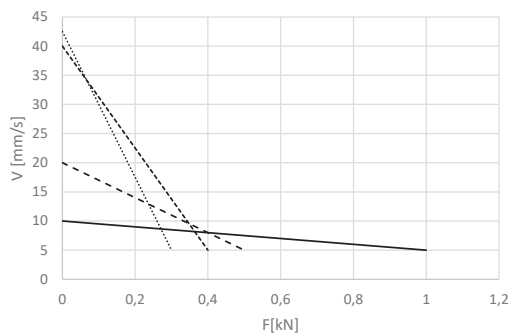
**** Plug type Molex Mini Fit Jr. if used with hallsensors

Controllers and add-on components see accessoires

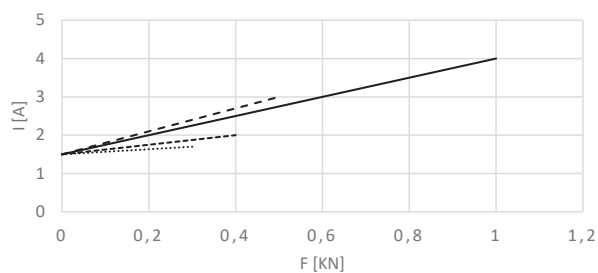
ACTUATOR TYP 120 S



TYP 120 S



— TR 10 x 3 - - - TR 10 x 6 ····· TR 12 x 12 - · - · TR 12 x 16



— TR 10 x 3 - - - TR 10 x 6 ····· TR 12 x 12 - · - · TR 12 x 16

ACTUATOR TYP 120 SE



TYP 120 SE

Actuator	Unit	120 SE, Spindle 10x3 12ECYYYYZZZGGGXX	120 SE, Spindle 10x6*** 12ENYYYYZZZGGGXX	120 SE, Spindle 12x12*** 12EYYYYZZZGGGXX	120 SE, Spindle 12x16*** 12EJYYYYZZZGGGXX
Article number					
Push force 12 - 24V	N	1000	500	400	300
Pull force 12 - 24V	N	1000	500	400	300
Push force 24 - 36V	N	1200	600	500	400
Pull force 24 - 36V	N	1200	600	500	400
Speed 12 - 24V	mm/s	10	20	40	45
Speed 24 - 36V	mm/s	12	25	45	50
Power rating	W	10...40	10...40	10...40	10...40
Max. stroke**	mm	213	301	449	518
Overall length 1	mm	Stroke + 100	Stroke + 100	Stroke + 100	Stroke + 100
Overall length 2	mm	Stroke + 52	Stroke + 52	Stroke + 52	Stroke + 52
Voltage	V/DC	12...24 or 24...36	12...24 or 24...36	12...24 or 24...36	12...24 or 24...36
Max. power input	W	50...80	50...80	50...80	50...80
Max. power consumption	A	1,5...4,0	1,5...4,0	1,5...4,0	1,5...4,0
Cable length****	mm	1500	1500	1500	1500
Cycle duty (S3)	min	1 / 9 (10 %)	1 / 9 (10 %)	1 / 9 (10 %)	1 / 9 (10 %)
Environment temperature	°C	0...40	0...40	0...40	0...40
Protection rate*	IP	up to 41	up to 41	up to 41	up to 41
Isolation class		E	E	E	E
Weight (100mm stroke)	kg	0,4	0,4	0,4	0,4
Gear reduction		1:27	1:27	1:27	1:27
Pulse travel length (1-Hall)	mm/pulse	0,1105	0,2211	0,442	0,5926
Integrated end switches		Yes	Yes	Yes	Yes

Stroke tolerance (+/- 2mm) and operating speed depending on load and voltage

*Depends on installation position

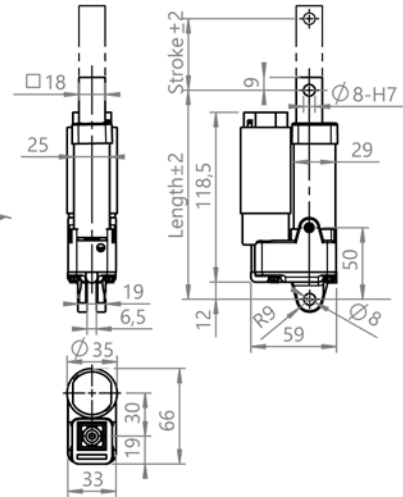
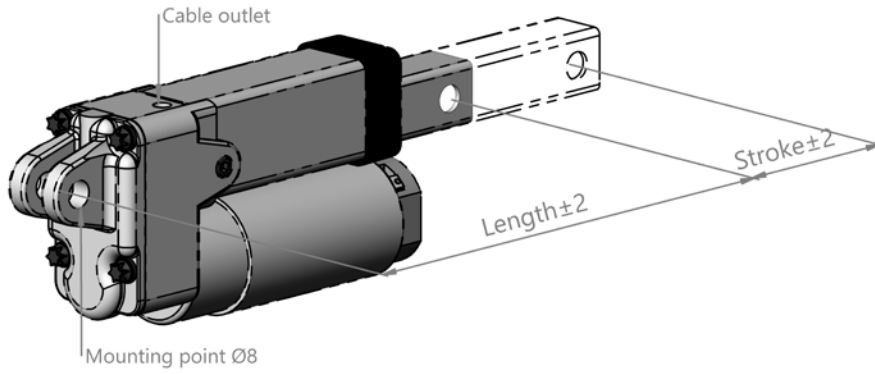
**Related to spindle bending at safety factor SF=2

*** No self-locking

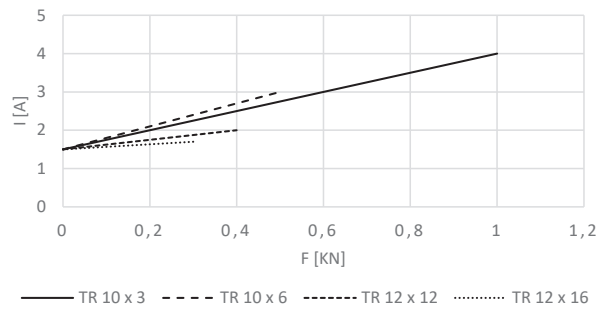
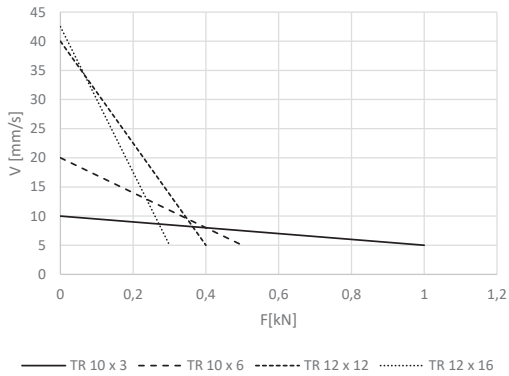
**** Plug type Molex Mini Fit Jr. if used with hallsensors

Controllers and add-on components see accessoires

ACTUATOR TYP 120 SE



TYP 120 SE



ACTUATOR TYP 200 S



TYP 200 S

Actuator Article number	Unit	200 S, Spindle 16x2 20SAYYYYYZZZMLC24	200 S, Spindle 16x3,6 20SDYYYYZZZMLC24	200 S, Spindle 16x4 20SEYYYYZZZMLC24	200 S, Spindle 16x8*** 20SGYYYYZZZMLC24
Push force max.	N	6000	6000	5400	2700
Pull force max. **	N	6000	6000	5400	2700
Speed (without load)	mm/s	6,8	12,3	13,6	27,2
Power rating	W	50....150	50....150	50....150	50....150
Max. stroke**	mm	375	272	287	406
Overall length 1	mm	Length 1= Stroke+160	Length 1= Stroke+160	Length 1= Stroke+160	Length 1= Stroke+160
Overall length 2	mm	Length 2= Stroke+130	Length 2= Stroke+130	Length 2= Stroke+130	Length 2= Stroke+130
Voltage	V/DC	24....48	24....48	24....48	24....48
Max. power input	W	300	300	300	300
Max. power consumption	A	2....12	2....12	2....12	2....12
Cable length****	mm	1000	1000	1000	1000
Cycle duty (S3)	min	1 / 9 (10 %)	1 / 9 (10 %)	1 / 9 (10 %)	1 / 9 (10 %)
Environment temperature	°C	0....40	0....40	0....40	0....40
Protection rate*	IP	up to 54	up to 54	up to 54	up to 54
Isolation class		E	E	E	E
Weight (100mm stroke)	kg	2,2	2,2	2,2	2,2
Gear reduction		1:20,25	1:20,25	1:20,25	1:20,25
Pulse travel length (2-Hall)	mm/pulse	0,0989	0,1778	0,1975	0,3951
Integrated end switches		Yes	Yes	Yes	Yes

Stroke tolerance (+/- 2mm) and operating speed depending on load and voltage

*Depends on installation position

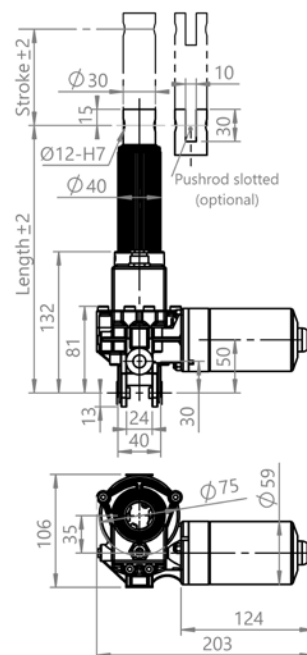
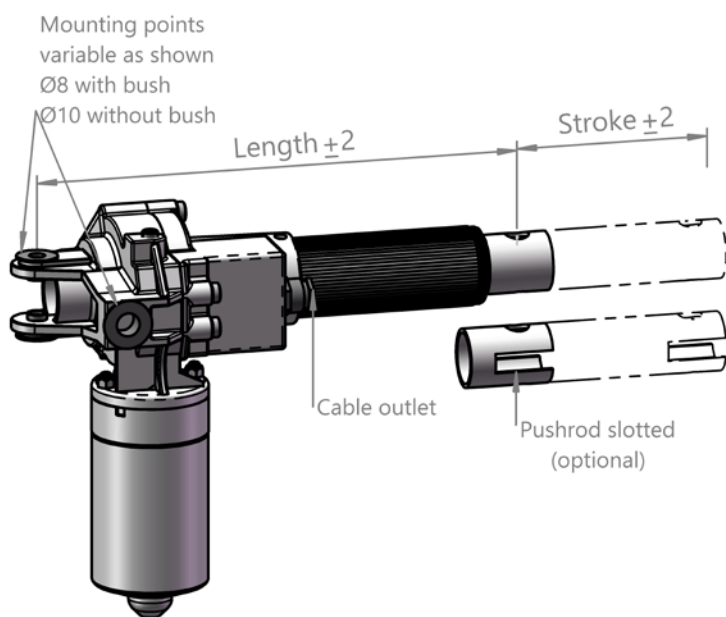
**Related to spindle bending at safety factor SF=2

*** No self-locking

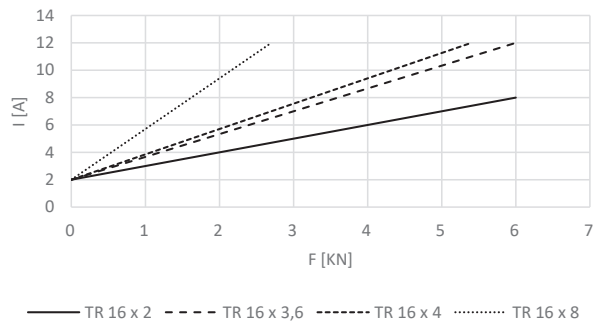
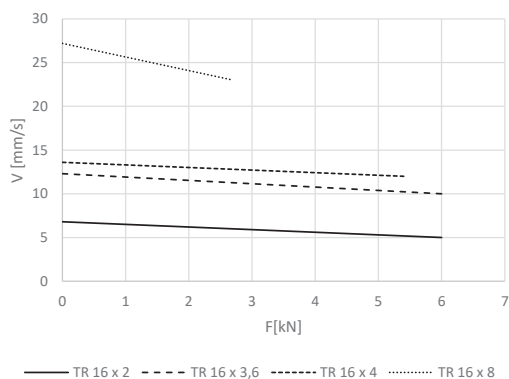
**** Plug type Molex Mini Fit Jr. if used with hallsensors

Controllers and add-on components see accessoires

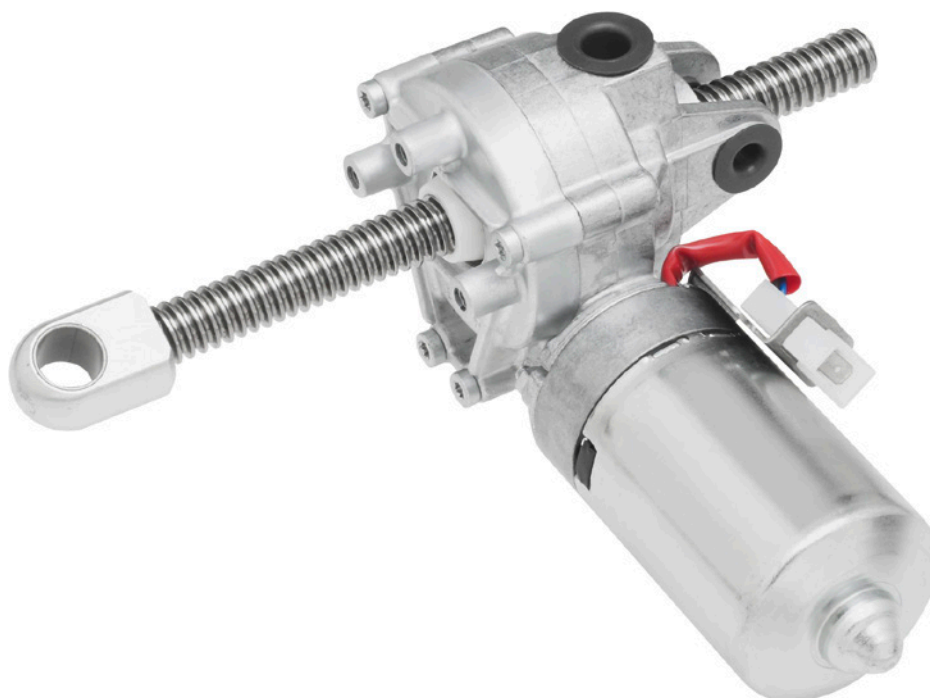
ACTUATOR TYP 200 S



TYP 200 S



ACTUATOR TYP 200 KS



TYP 200 KS

Actuator Article number	Unit	200 KS, Spindle 16x2 2KSAYYYYYZZZMNA24	200 KS, Spindle 16x3,6 2KSDYYYYZZZMNA24	200 KS, Spindle 16x4 2KSEYYYYZZZMNA24	200 KS, Spindle 16x8*** 2KSGYYYYZZZMNA24
Push force max.	N	6000	6000	5400	2700
Pull force max. **	N	6000	6000	5400	2700
Speed (without load)	mm/s	6,8	12,3	13,6	27,2
Power rating	W	50...150	50...150	50...150	50...150
Max. stroke**	mm	375	272	287	406
Overall length w/o. rod eye	mm	Stroke + 90	Stroke + 90	Stroke + 90	Stroke + 90
Overall length with rod eye	mm	Stroke + 115	Stroke + 115	Stroke + 115	Stroke + 115
Voltage	V/DC	24...48	24...48	24...48	24...48
Max. power input	W	300	300	300	300
Max. power consumption	A	2...12	2...12	2...12	2...12
Plug type****		Blade terminal 6,3x0,8	Blade terminal 6,3x0,8	Blade terminal 6,3x0,8	Blade terminal 6,3x0,8
Cycle duty (S3)	min	1 / 9 (10 %)	1 / 9 (10 %)	1 / 9 (10 %)	1 / 9 (10 %)
Environment temperature	°C	0...40	0...40	0...40	0...40
Protection rate*	IP	up to 54	up to 54	up to 54	up to 54
Isolation class		E	E	E	E
Weight (without spindle)	kg	2,2	2,2	2,2	2,2
Gear reduction		1:20,25	1:20,25	1:20,25	1:20,25
Pulse travel length (2-Hall)	mm/ pulse	0,0989	0,1778	0,1975	0,3951
Integrated end switches		No	No	No	No

Stroke tolerance (+/- 2mm) and operating speed depending on load and voltage

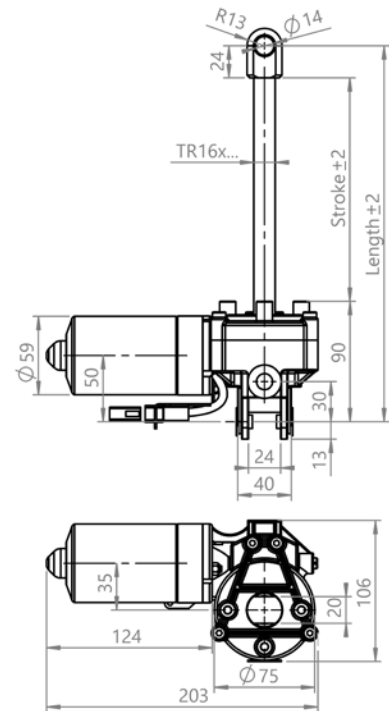
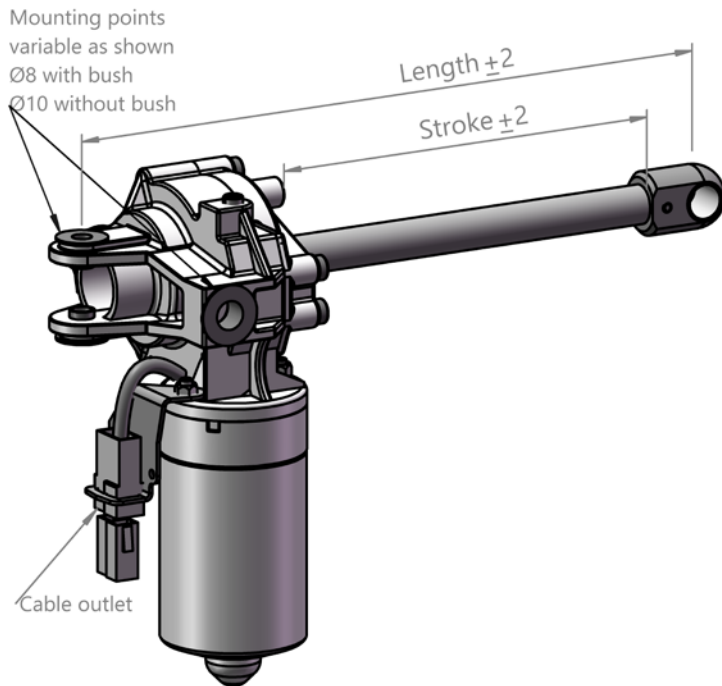
*Depends on installation position

**Related to spindle bending at safety factor SF=2

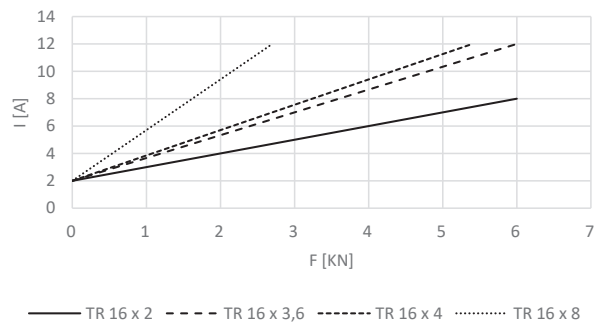
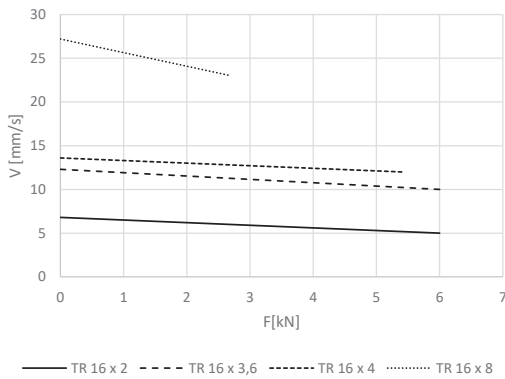
*** No self-locking

**** Plug type Molex Mini Fit Jr. if used with hallsensors
 Controllers and add-on components see accessoires

ACTUATOR TYP 200 KS



TYP 200 KS



ACTUATOR TYP DR-HM D



TYP DR-HM D

Actuator Article number	Unit	DR-HM D, Spindle 16x2 DRDAYYYYZZZMKA24	DR-HM D, Spindle 16x4 DRDEYYYZZZMKA24	DR-HM D, Spindle 16x8*** DRDGYYYYZZZMKA24
Push force max.	N	3000	3000	1500
Pull force max. **	N	3000	3000	1500
Speed (without load)	mm/s	4	8	16
Power rating	W	20...60	20...60	20...60
Max. stroke**	mm	531	385	545
Overall length	mm	Stroke +100	Stroke +100	Stroke +100
Voltage	V/DC	24...36	24...36	24...36
Max. power input	W	100...150	100...150	100...150
Max. power consumption	A	1,5...5,0	1,5...5,0	1,5...5,0
Cable length****	mm	200	200	200
Cycle duty (S3)	min	1 / 9 (10 %)	1 / 9 (10 %)	1 / 9 (10 %)
Environment temperature	°C	0...40	0...40	0...40
Protection rate*	IP	up to 32	up to 32	up to 32
Isolation class		E	E	E
Weight (without spindle)	kg	1,3	1,3	1,3
Gear reduction		1:35	1:35	1:35
Pulse travel length (1-Hall)	mm/pulse	0,0572	0,1143	0,2286
Integrated end switches		No	No	No

Stroke tolerance (+/- 2mm) and operating speed depending on load and voltage

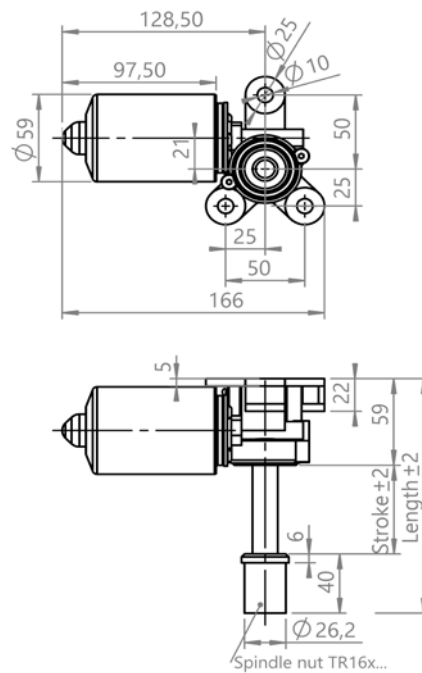
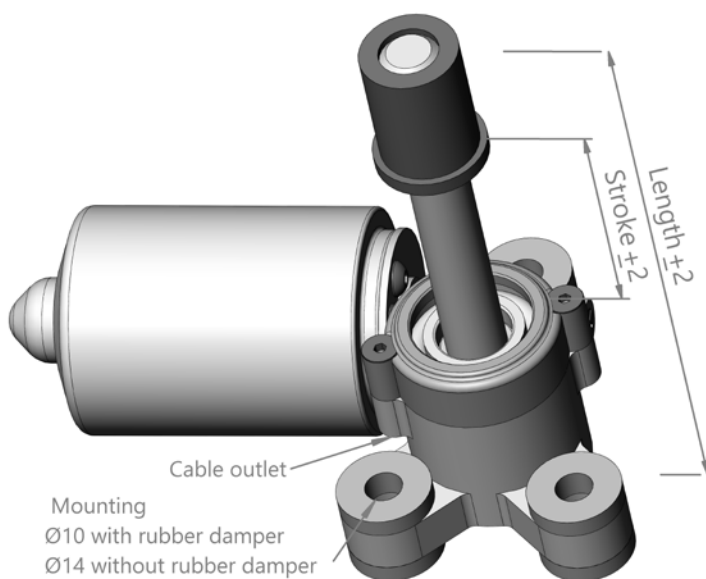
*Depends on installation position

**Related to spindle bending at safety factor SF=2

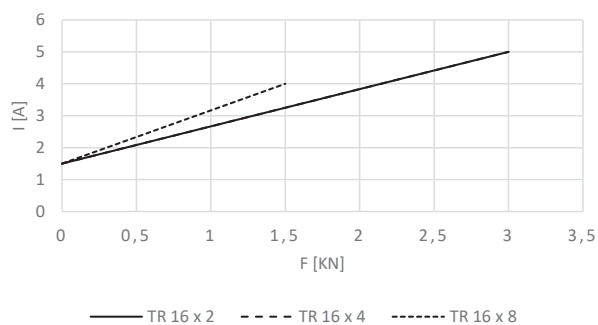
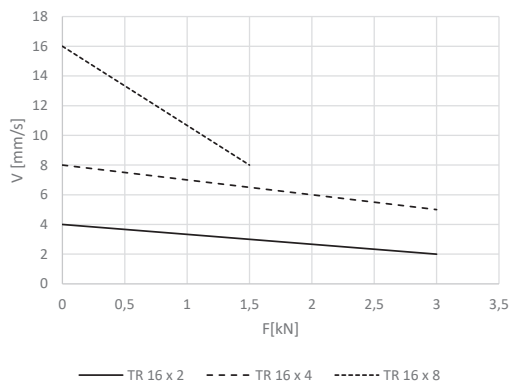
*** No self-locking

**** Plug type Molex Mini Fit Jr. if used with hallsensors
 Controllers and add-on components see accessoires

ACTUATOR TYP DR-HM D



TYP DR-HM D



ACTUATOR TYP Koax D



TYP Koax D

Actuator Article number	Unit	Koax D, Spindle 12x3 KDDMYYYYYZZZMOD24	Koax D, Spindle 12x6*** KDDFYYYYYZZZMOD24	Koax D, Spindle 12x12*** KDDIYYYYZZZMOD24	Koax D, Spindle 12x16*** KDDJYYYYZZZMOD24
Push force max.	N	1800	1500	1200	800
Pull force max. **	N	1200	1000	1000	800
Speed (without load)	mm/s	8	15	25	35
Power rating	W	30...80	30...80	30...80	30...80
Max. stroke**	mm	272	298	259	317
Overall length	mm	Stroke + 215mm	Stroke + 215mm	Stroke + 215mm	Stroke + 215mm
Voltage	V/DC	12...24	12...24	12...24	12...24
Max. power input	W	< 200	< 200	< 200	< 200
Max. power consumption	A	1,5...5,0	1,5...5,0	1,5...5,0	1,5...5,0
Cable length****	mm	2600	2600	2600	2600
Cycle duty (S3)	min	1 / 9 (10 %)	1 / 9 (10 %)	1 / 9 (10 %)	1 / 9 (10 %)
Environment temperature	°C	0...40	0...40	0...40	0...40
Protection rate*	IP	up to 42	up to 42	up to 42	up to 42
Isolation class		E	E	E	E
Weight (without spindle)	kg	0,9	0,9	0,9	0,9
Gear reduction		1:35	1:35	1:35	1:35
Pulse travel length (2-Hall)	mm/ pulse	0,0857	0,1714	0,3429	0,4571
Integrated end switches		optional	optional	optional	optional

Stroke tolerance (+/- 2mm) and operating speed depending on load and voltage

*Depends on installation position

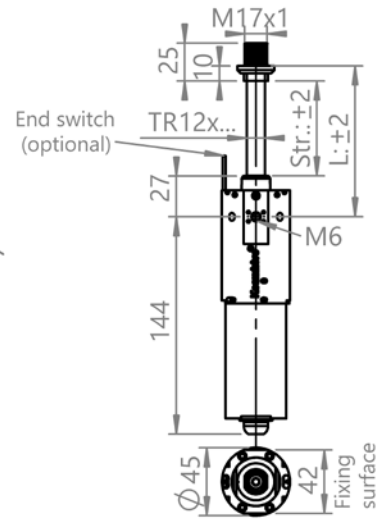
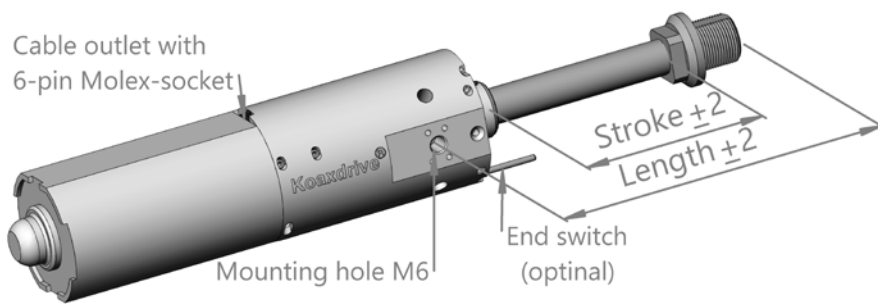
**Related to spindle bending at safety factor SF=2

*** No self-locking

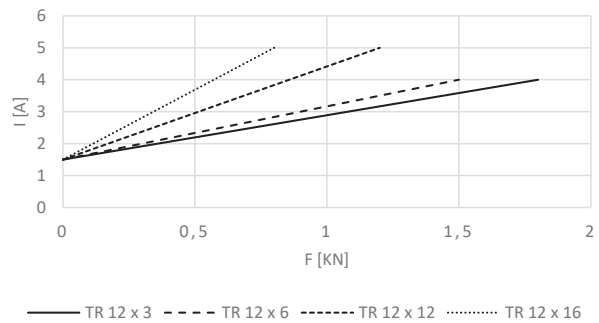
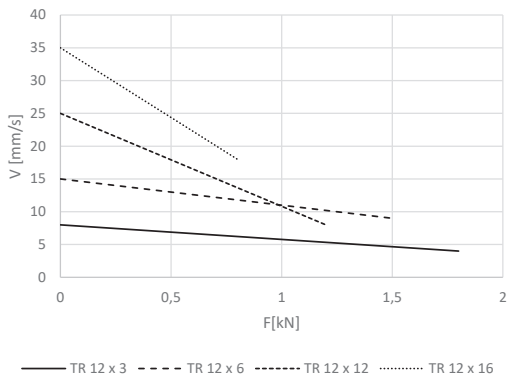
**** Plug type Molex Mini Fit Jr. if used with hallsensors

Controllers and add-on components see accessoires

ACTUATOR TYP Koax D



TYP Koax D



ACTUATOR TYP Koax E



TYP Koax E

Actuator Article number	Unit	Koax E, Spindle 12x3 KDEMYYYYYZZZMPP24	Koax E, Spindle 12x6*** KDEFYYYYZZZMPP24
Push force max.	N	1800	1500
Pull force max. **	N	1200	1000
Speed (without load)	mm/s	8	15
Power rating	W	30....80	30....80
Max. stroke**	mm	272	298
Overall length 1	mm	Stroke + 82	Stroke + 82
Overall length 2	mm	Stroke +226	Stroke +226
Voltage	V/DC	12....24	12....24
Max. power input	W	< 200	< 200
Max. power consumption	A	1,5....5,0	1,5....5,0
Cable length****	mm	2600	2600
Cycle duty (S3)	min	1 / 9 (10 %)	1 / 9 (10 %)
Environment temperature	°C	0....40	0....40
Protection rate*	IP	up to 42	up to 42
Isolation class		E	E
Weight (100mm stroke)	kg	1,5	1,5
Gear reduction		1:35	1:35
Pulse travel length (2-Hall)	mm/pulse	0,0857	0,1714
Integrated end switches		Yes	Yes

Stroke tolerance (+/- 2mm) and operating speed depending on load and voltage

*Depends on installation position

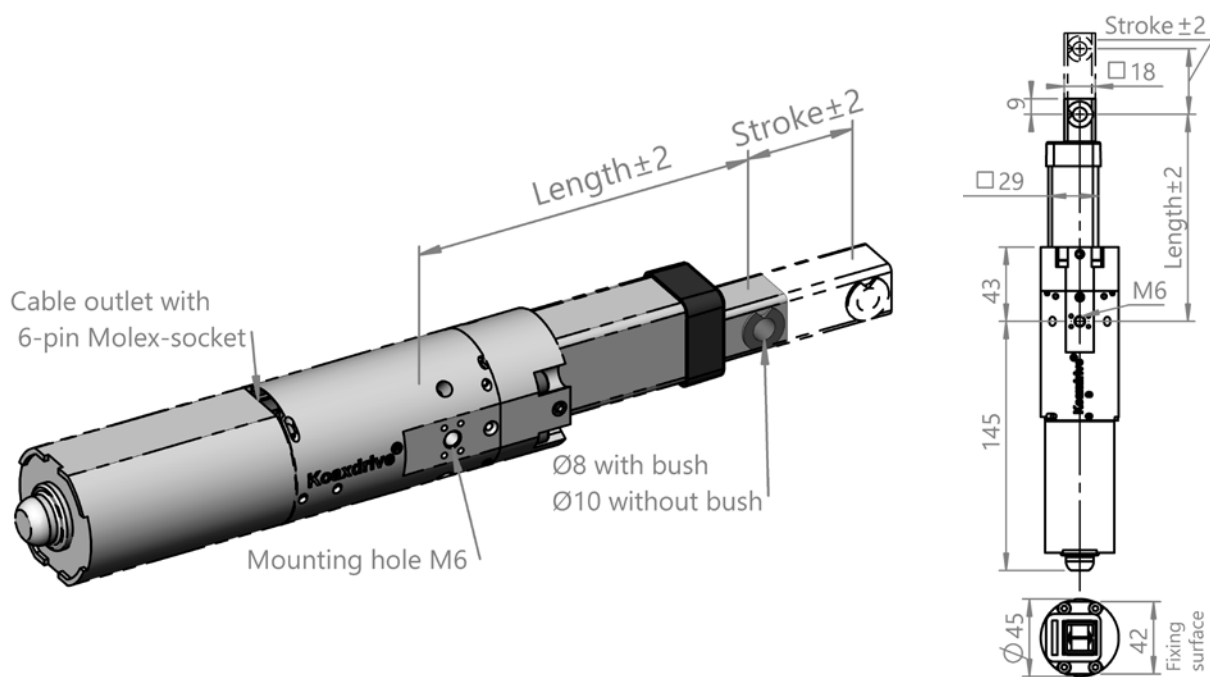
**Related to spindle bending at safety factor SF=2

*** No self-locking

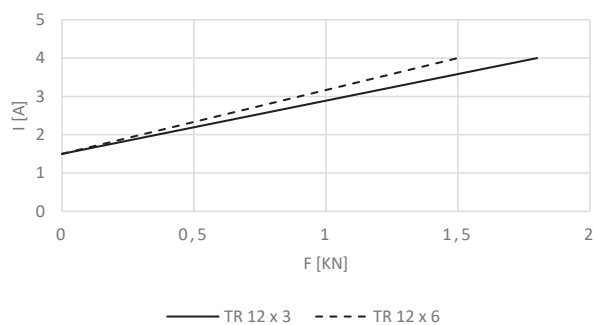
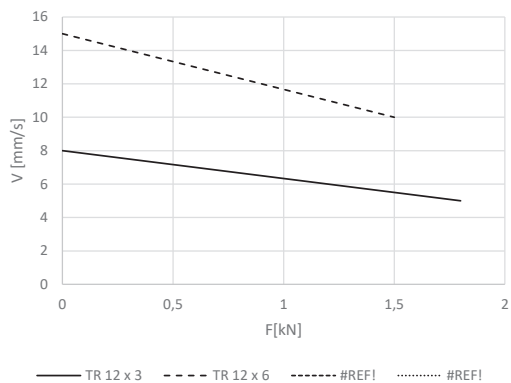
**** Plug type Molex Mini Fit Jr. if used with hallsensors

Controllers and add-on components see accessoires

ACTUATOR TYP Koax E



TYP Koax E



CONTROLLERS & ACCESSORIES

Controller Compact



Controller SY1 mini



Controller Syncontrol



Controller Syncontrol 24V + Battery

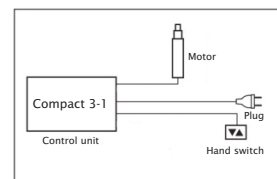


CONTROLLER COMPACT

Controller Compact 3-1

for one motor/lifter

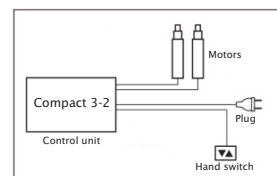
For one motor



Controller Compact 3-2

for two motors/lifters or 4x Compact 3-2 linked for synchronous operation of 8 motors/lifters

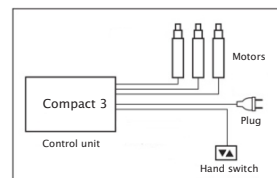
For two motors



Controller Compact 3-3

for three motors/lifters or 4x Compact 3-3 linked for synchronous operation of 12 motors/lifters

For three motors



Controllers		Compact 3-1	Compact 3-2	Compact 3-3
Article number		COM1-XX-S-7M-EU	COM2-XX-S-7M-EU	COM3-XX-S-7M-EU
Technical data	Unit			
Output power	VA	360	360	360
Input voltage	VAC	230	230	230
Power consumption	A	1,6	1,6	1,6
Frequency	Hz	50	50	50
Protection class		I	I	I
Protection rate IP		20	20	20
Output voltage	VDC	24	24	24
Motor channels		1	2	3
Duty cycle		1 / 9 (10 %)	1 / 9 (10 %)	1 / 9 (10 %)
Power supply electronics	VDC/mA	5 / 250	5 / 250	5 / 250
Power supply standby	VDC/mA	5 / 004	5 / 004	5 / 004
Standby power input	W	< 0,3	< 0,3	< 0,3
Number of controllers linkable		max. 4	max. 4	max. 4
Weight	kg	0,523	0,523	0,523
Size	mm	264x103x37	264x103x37	264x103x37
Plug type / Cable length				
Power supply cable	m	3	3	3
Output Motor		Molex Mini Fit Jr.	Molex Mini Fit Jr.	Molex Mini Fit Jr.
Output Manual switch		MAS 70 S	MAS 70 S	MAS 70 S

*110 V-Version on demand

CONTROLLER COMPACT - MANUAL SWITCH

**Manual Switch
HS-Baseline LD/7**



Article number	HS Baseline LD7
Mounting	Hook
Memory	No
Display	No
Cable length	1,5 m - 2,8 m
Motorgroups	1
Plug type	MAS 70

**Manual Switch
HSX-OD-2-LD**



Article number	HSX-OD-2-LD
Mounting	Under desk mounting
Memory	No
Display	No
Cable length	1,6 m
Motorgroups	1
Plug type	MAS 70

**Manual Switch
HSM-OD**



Article number	HSM-OD
Mounting	Under desk mounting
Memory	No
Display	No
Cable length	1,8 m
Motorgroups	1
Plug type	MAS 70

**Manual Switch
HSU-C-FL-LD**



Article number	HSU-C-FL-LD
Mounting	Under desk mounting
Memory	4 positions
Display	3 digit LCD
Cable length	1,8 m
Motorgroups	1
Plug type	MAS 70

CONTROLLER COMPACT - MANUAL SWITCH

Manual switch TOUCH-IL-MDF-2M2-LD



Article number	TOUCH-IL-MDF-2M2-LD
----------------	---------------------

Mounting	Built-in
Memory	2 positions
Display	4 digit LCD
Cable length	1,8 m
Motorgroups	2
Plug type	MAS 70

Manual switch HSF-MDF-4M4-LD



Article number	HSF-MDF-4M4-LD
----------------	----------------

Mounting	Under desk mounting
Memory	4 positions
Display	4 digit LCD
Cable length	2,2 m
Motorgroups	2
Plug type	MAS 70

Foot switch EL-Fuss LDII/7



Article number	EL-Fuss LDII/7
----------------	----------------

Memory	No
Display	No
Motorgroups	1
Cable type	Coiled cable max. 1,7 m
Plug type	MAS 70

CONTROLLER COMPACT - ACCESSOIRES

Power supply cable

Article number	LOG-CBL-PWK
Application	Connecting controller to power supply
Cable length	3 m
Pins	3
Cable plug	EU - power plug



Manual switch extension cable

Article number	ACS-CBL-HS-LD
Application	Connecting hand switch to controller
Cable length	1,0 m
Cable plug	MAS 70
	max. 3 cables (length 3,0 m)



Motor connecting cable Molex to MAS

Article number	LOG-CBL-ADAP-Mot-ELS
Application	Connecting motor/lifter to controller
Cable length	0,2 m
Cable plug	MAS 80S / Molex Mini Fit 4.2mm plug



Motor extension cable MAS

Article number	ACS-CBL-Mot-1,5m
Application	Connecting motor/lifter to controller
Cable length	1,5 m
Cable plug	MAS 80
	max. 3 cables (length 4,5 m)



Motor connecting cable MAS to Molex

Article number	LOG-CBL-ADAP-INV-Mot
Application	Connecting motor/lifter to controller
Cable length	0,2 m
Cable plug	MAS 80S / Molex Mini Fit 4.2mm plug



Motor extension cable Molex

Article number	EZ02490
Application	Connecting motor/lifter to controller
Cable length	1,2 m
Cable plug	Molex Mini Fit 4.2mm plug/socket



Hand switch split cable

Article number	ACS-CBL-HSY
Application	Connection two hand switches to controller
Cable length	0,2 m
Cable plug	MAS 70



Link cable for two controllers

Article number	ACS-CBL-HT-SYNC-500
Application	Linking/Connection
Number linkable controllers	2
Controller type	Compact
Length	0,5 m



Motorcable HEXALIFT + VISOLIFT

Article number	EZ02252
Application	Connecting motor/lifter to controller
Cable length	2 m
Plug type	Molex



Link cable for four controllers

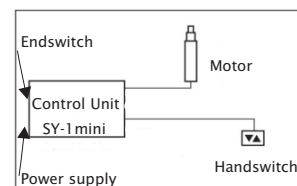
Article number	ACS-CBL-HT-SYNC-1500
Application	Linking/Connection
Number linkable controllers	max. 4
Controller type	Compact
Length	1,5 m



CONTROLLERS SY 1 MINI

Controller SY 1 mini

for one motor/lifter



Controllers Article number	Unit	SY1mini, with power supply 27V SYM1-ON-S-78-27	SY1mini, no power supply 27V SYM1-ON-O-78-27	SY1mini, with power supply 12V SYM1-ON-S-78-12	SY1mini, no power supply 12V SYM1-ON-O-78-12
Technical datas					
Output power	VA	180	180	180	180
Input voltage	VDC	12-36	12-36	12-36	12-36
Output voltage	VDC	27	27	12	12
Power consumption	A	max 5,0	max 5,0	max 5,0	max 5,0
Protection class		II	II	II	II
Protection rate IP		20	20	20	20
Motor channels		1	1	1	1
Duty cycle		1 / 9 (10 %)	1 / 9 (10 %)	1 / 9 (10 %)	1 / 9 (10 %)
Weight	kg	0,075	0,37	0,075	0,37
Size	mm	95,6 x 55,4 x 30,5	95,6 x 55,4 x 30,5	95,6 x 55,4 x 30,5	95,6 x 55,4 x 30,5
Plug type					
Output - Motor		MAS 80 S	MAS 80 S	MAS 80 S	MAS 80 S
Output - Manual switch		MAS 70 S	MAS 70 S	MAS 70 S	MAS 70 S
Output - End switch		MAS 50 S (optional)	MAS 50 S (optional)	MAS 50 S (optional)	MAS 50 S (optional)
Power supply		DC power connector 2,5mm	DC power connector 2,5mm	DC power connector 2,5mm	DC power connector 2,5mm

CONTROLLER SY1 MINI - MANUAL SWITCH

Manual switch HS-Baseline LD/7



Article number	HS Baseline LD7
Mounting	Hook
Memory	No
Display	No
Cable length	1,5m - 2,8m
Motorgroups	1
Plug type	MAS 70

Manual switch HSX-OD-2-LD



Article number	HSX-OD-2-LD
Mounting	Under desk mounting
Memory	No
Display	No
Cable length	1,6m
Motorgroups	1
Plug type	MAS 70

Manual switch HSM-OD



Article number	HSM-OD
Mounting	Under desk mounting
Memory	No
Display	No
Cable length	1,8m
Motorgroups	1
Plug type	MAS 70

Manual switch HSU-C-FL-LD



Article number	HSU-C-FL-LD
Mounting	Under desk mounting
Memory	4 positions
Display	3 digit LCD
Cable length	1,8m
Motorgroups	1
Plug type	MAS 70

CONTROLLER SY1 MINI - ACCESSOIRES

Hand switch split cable



Article number	ACS-CBL-HSY
Application	Connects 2 manual switches and controller
Cable length	0,2m
Useable with controller type	Compact/SYmini/Smart
Useable with manual switch	LD, Touch series
Plug type	MAS 70

Hand switch extension cable



Article number	ACS-CBL-HS-LD
Application	Connects manual switch and controller
Cable length	1,0m
Useable with controller type	Compact/SYmini/Smart
Useable with manual switch	LD und Touch series
Plug type	MAS 70

Motor extension cable

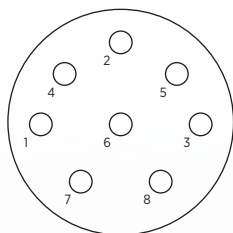


Article number	ACS-CBL-Mot-1,5m
Application	Connects motor and controller
Cable length	1,5m
Useable with controller type	Compact/SCT/SYmini/Smart
Useable with manual switch	
Plug type	MAS 80

Motor cable Compact / SY/SCT

1. a. 7 = Motor + (-), (yellow) up/down
2. a. 4 = Motor - (+), (grey) up/down
- 5 = Hall Transmitter Gnd (brown)
- 3 = Hall Transmitter + 5 V (white)
- 8 = Hall Transmitter 1
open collector output (green)
- 6 = Hall Transmitter 2
open collector output (blue)

Soldering side plug

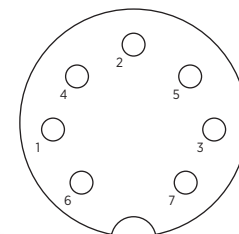


MAS80S DIN 41524

Manual Switch Compact / SY

Code	HS 1	HS 2	HS 3	HS 4
Up	1	0	0	0
Down	0	1	0	0
Memo	0	1	1	0
Pos 1	0	0	1	0
Pos 2	0	0	0	1
Pos 3	0	1	0	1
Pos 4	0	1	1	0
Pos 5	0	1	0	1
Pos 6	0	1	1	1

Soldering side



MAS70S DIN 45329

Configuration	4 = HS 4	5 = HS 2
1 = Rx D		6 = Tx D
2 = HS 3		3 = HS 1
7 = +5V		

CONTROLLER SYNCONTROL

Controller Syncontrol

for up to four motors/lifters



Controllers Article number		SYC3-ON-S-RM- EU-XXXX	SYC3-ON-S-RM-EU- GXWX	SYC4-ON-S-RM-EU- XXXX	SYC4-ON-S-RM-EU- GXWX
Technical datas	Unit				
Power	W	380	380	380	380
Input voltage	VAC	230	230	230	230
Current consumption	A	2	2	2	2
Frequency	Hz	50	50	50	50
Protection class		I	I	I	I
Protection rate IP		20	20	20	20
Output voltage	VDC	24	24	24	24
Power consumption	A	19	19	19	19
Motor channels		3	3	4	4
Max. power consumption/channel	A	9	9	9	9
Continous operation up to	W	100 total load	100 total load	100 total load	100 total load
Power supply standby	W	0,1	0,1	0,1	0,1
Duty cycle		1/9 (10%)	1/9 (10%)	1/9 (10%)	1/9 (10%)
Number of controllers linkable		6	6	8	8
Weight	kg	0,46	0,46	0,46	0,46
Size	mm	41x61x265	41x61x265	41 x 61 x 265	41 x 61 x 265
Plug type / Cable length					
Power supply cable	m	3	3	3	3
Output Motor		Molex Mini Fit Jr.	Molex Mini Fit Jr.	Molex Mini Fit Jr.	Molex Mini Fit Jr.
Output Manual switch		RJ 12	RJ 12	RJ 12	RJ 12
Modbus		x	x	x	x
Wifi		-	x	-	x
Gyrosense***		-	x	-	x

*110V Version (US) available

**up to 6 controllers linkable with link-hub KAS-HUB-SYC

***Collision sensor optional

Options:

- Bluetooth
- Optosense operation

CONTROLLER SYNCONTROL

Controller Syncontrol Battery and DC



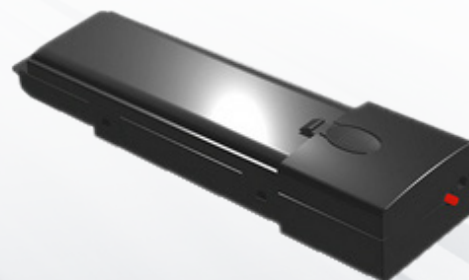
for up to four motors

Controller Article number	2-channel 4-channel	SYC2-ON-S-RM-24-XXXX SYC4-ON-S-RM-24-XXXX	SYC2-ON-S-RM-24-XXXX-BAT SYC4-ON-S-RM-24-XXXX-BAT
Technical datas	Unit		
Power	W	380	380
Input voltage	VDC	24V - 32V	Integrated Battery 86 Wh
Current consumption	A	15 - 20	
Protection class		I	I
Protection rate IP		20	20
Output voltage	VDC	24	24
Power consumption	A	19	19
Motor channels		2 or 4	2 or 4
Max . power consumption / channel	A	12	12
Continous operation up to	W	100 total load	100 total load
Power supply standby	W	0,25	0,1
Duty cycle		1 / 9 (10 %)	1 / 9 (10 %)
Number of controllers linkable		6	6
Weight	kg	0,46	0,85
Size	mm	38,5 x 62 x 265	38,5 x 62 x 303
Plug type / Cable length			
Power supply cable		DC and 5V on/off**	Integrated Battery
Output Motor		Molex Mini Fit Jr.	Molex Mini Fit Jr.
Output Manual switch		RJ 12	RJ 12

Options:

- Modbus
- Wifi
- Bluetooth
- Gyrosense (Collision sensor)

Akku Art.-Nr.: Syc-Akku



Charger
 Art.-Nr.: Syc-Netzladegerät

CONTROLLER SYNCONTROL - MANUAL SWITCH

Manual switch up/down



Article number HS-SYC-LM2EC

Mounting	Under desk mounting
Keys up/down	2
Memory	No
Display	No
Cable length	1,7m
Plug type	RJ 12

Manual switch up/down



Article number HS-SYC-LM2IC

Mounting	Build in
Keys up/down	2
Memory	No
Display	No
Cable length	1,7m
Plug type	RJ 12

Manual switch up/down with Display

Für Linkbetrieb geeignet.



Article number HS-SYC-LD2IC

Mounting	Build in
Keys up/down	2
Memory	No
Display	Yes
Cable length	1,7m
Plug type	RJ 12

Manual switch 2 Memory positions



Article number HS-SYC-LM4IC

Mounting	Build in
Keys up/down	2
Memory	2 positions
Display	No
Cable length	1,7m
Plug type	RJ 12

Manual switch 2 memory positions with display

usable for cascading



Article number HS-SYC-LD6EC

Mounting	Under desk mounting
Keys up/down	2
Memory	4 positions
Display	3 digit LCD
Cable length	1,7m
Plug type	RJ 12

CONTROLLER SYNCONTROL - ACCESSOIRES

Power supply cable Controller



Article number	LOG-CBL-PWK
Application	Connecting controller to power supply
Cable length	3 m
Pins	3
Plug type	EU - power plug

Motor adapter cable Molex to MAS



Article number	LOG-CBL-ADAP-Mot-ELS
Application	Connecting controller to motor/lifter
Cable length	0,2m
Pins	MAS 80S/Molex Mini Fit 4,2 mm plug

Synchronization connector



Article number	SYC-HS-Y-Verteiler-RJ12
Application	Connecting / Synchronizing 2 x controllers and 1x handset

Hand switch we junction



Article number	HS-Y-Verteiler-RJ12-SYC
Application	Connecting two hand sets to one controller

Link cable



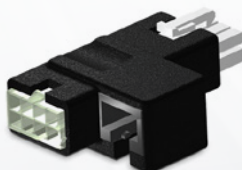
Article number	KAS-Kabel-RJ12-SYC-0,9m
Application	Connects two or more controllers
Cable length	0,9m
Pins	RJ12

Link hub



Article number	KAS-HUB-SYC
Application	Connects up to 6 controllers

Adapter for connector anti-squeeze bar



Article number	Y-Adapter-KS-SYC
Application	Connector anti-squeeze bar

Hub for extension hand set cable

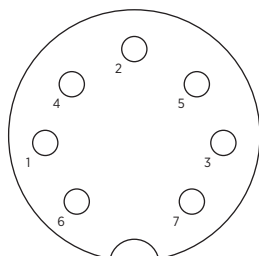


Article number	HS-Kupplung-2xRJ12
Application	Extension hand set cable

PIN CONNECTIONS

Hand switch Compact / SY

Soldered side plug



MAS70S DIN 45329

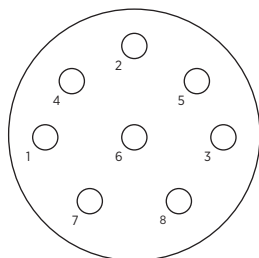
Code	HS 1	HS 2	HS 3	HS 4
up	1	0	0	0
down	0	1	0	0
Memo	0	1	1	0
Pos 1	0	0	1	0
Pos 2	0	0	0	1
Pos 3	0	1	0	1
Pos 4	0	1	1	0
Pos 5	0	1	0	1
Pos 6	0	1	1	1

Configuration

1 = Rx/D
 2 = HS 3
 3 = HS 1
 4 = HS 4
 5 = HS 2
 6 = Tx/D
 7 = +5V

Motor cable Compact / SY / SCT

Soldered side plug

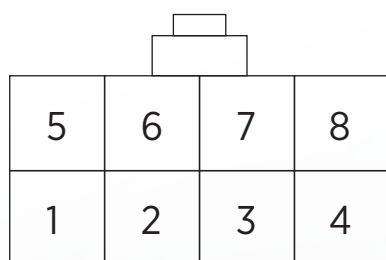


MAS80S DIN 41524

- 1. a. 7 = Motor + (-), (yellow) up/down
- 2. a. 4 = Motor - (+), (grey) up/down
- 5 = Hall Transmitter Gnd (brown)
- 3 = Hall Transmitter + 5 V (white)
- 8 = Hall Transmitter 1 open collector output (green)
- 6 = Hall Transmitter 2 open collector output (blue)

Motor cable Compact / Smart eco

Soldered side plug



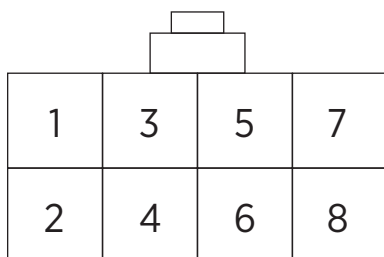
MOLEX

- 1 = yellow Motor + up
- 2 = n.c.
- 3 = white Hallsensor + 5VDC
- 4 = green Hallsignal 1
- 5 = blue Hallsignal 2
- 6 = n.c.
- 7 = brown Hallsensor GND
- 8 = grey Motor - down

PIN CONNECTIONS

Motor connection Syncontrol

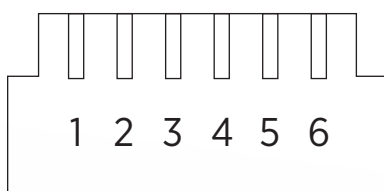
Front view socket



- 1= Motor 1
- 2= Hallsensor 1
- 3= GND
- 4= Hallsensor + 5V
- 5= Optional 2
- 6= Optional 1
- 7= Hallsensor 2
- 8= Motor 2

Hand switch + Bus connection Syncontrol

Front view socket



- 1= +5 V Output
- 2= RS 485 A
- 3= RS 485 B
- 4= +5 V Output
- 5= control units analogue
- 6= GND

TABLE BASE / ROLLER FRAME

Table base/foot T180

Article number	EZ01809
Material:	Alloy casting
Surface:	powder coating silver RAL 9006
Design:	764 mm x 103 mm x 64-74 mm



Table base/foot Hexalift symmetrical

Article number	EZ01811
Material:	Steel
Surface:	powder coating silver RAL 9006
Design:	760 mm x 60 mm x 43-48 mm



Table base/foot Hexalift asymmetrical

Article number	EZ01810
Material:	Steel
Surface:	powder coating silver RAL 9006
Design:	760 mm x 60 mm x 43-48 mm



Table base/foot T165 asymmetrical

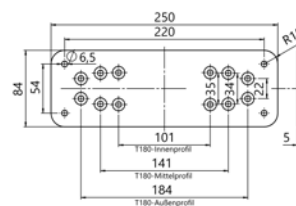
Article number	EZ01812
Material:	Steel
Surface:	powder coating silver RAL 9006
Design:	760 mm x 60 mm x 43-48 mm



MOUNTING PLATES

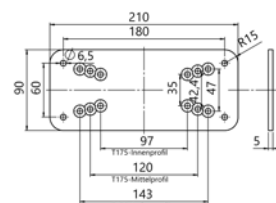
Mounting plate T180

Article number	EZ01822
Material:	Steel
Surface:	zinc plated
Application:	for all T180-type lifters as top or bottom plate



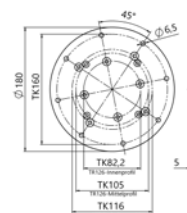
Mounting plate T175

Article number	EZ01823
Material:	Steel
Surface:	zinc plated
Application:	for all T175-type lifters as top or bottom plate



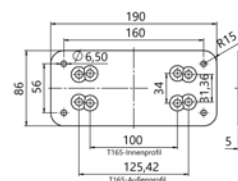
Mounting plate TR 126

Article number	EZ01824
Material:	Steel
Surface:	zinc plated
Application:	for all TR 126-type lifters as top or bottom plate



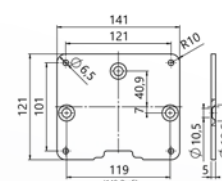
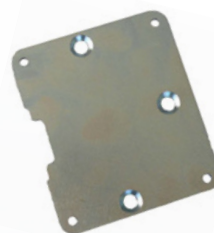
Mounting plate T165

Article number	EZ01825
Material:	Steel
Surface:	zinc plated
Application:	for all T165-type lifters as top or bottom plate



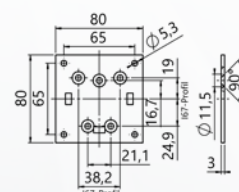
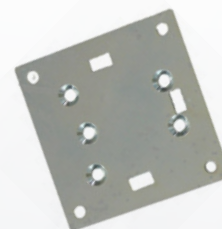
Mounting plate I140

Article number	23.0.035
Material:	Steel
Surface:	zinc plated
Application:	for all I140-type lifters as top or bottom plate



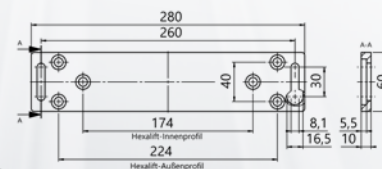
Mounting plate I67

Article number	28.0.007
Material:	Steel
Surface:	zinc plated
Application:	for all I67-type lifters as top or bottom plate



Mounting plate Hexalift

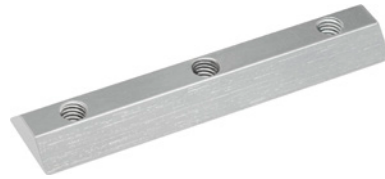
Article number	EZ02407
Material:	Aluminium
Surface:	anodised
Application:	for all Hexalift-type lifters as top or bottom plate



SLOT NUTS

For lifters T180 and T165

Article number	EZ01127
Material	Steel
Surface	zinc plated
Design	with 3 x M6 thread
Length	80 mm



For lifter T175

Article number	096286F
Material	Steel
Surface	zinc plated
Design	with spring plate and M6 thread



For lifter I140 and Hexalift M6

Article number	096026
Material	Steel
Surface	zinc plated
Design	swivel mounted with spring assisted ball and M6 thread



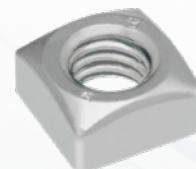
For lifter I140 and Hexalift M8

Article number	096028
Material	Steel
Surface	zinc plated
Design	swivel mounted with spring assisted ball and M8 thread



For lifter TR126 and I67

Article number	13440026-01
Material	Steel
Surface	zinc plated
Design	with M6 thread



For lifter I67

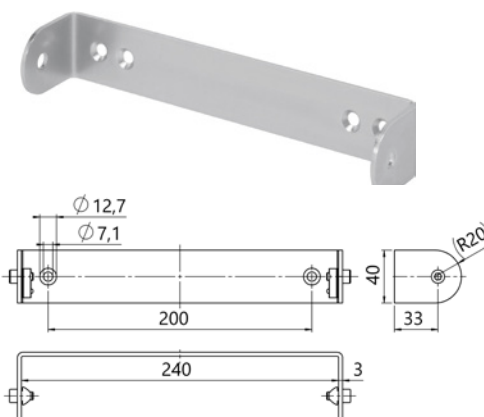
Article number	28.0.011.00
Material	Steel
Surface	zinc plated
Design	with 3 x M6 thread
Length	160 mm



WALLMOUNTS

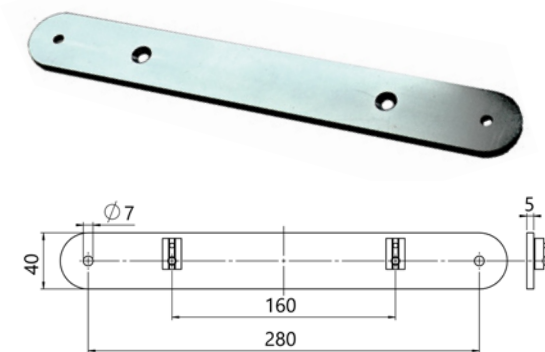
**Wall mount angled
Hexalift**

Article number	EZ01815
Material:	Steel
Surface:	zinc plated



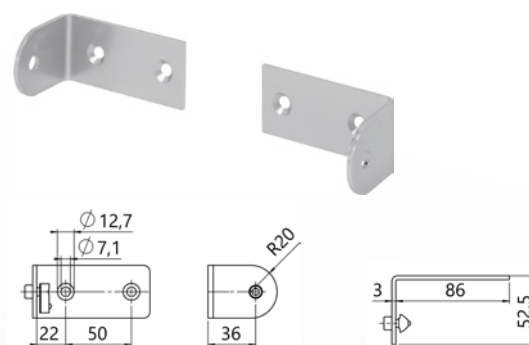
**Wall mount flat
Hexalift**

Article number	EZ01814
Material:	Steel
Surface:	zinc plated



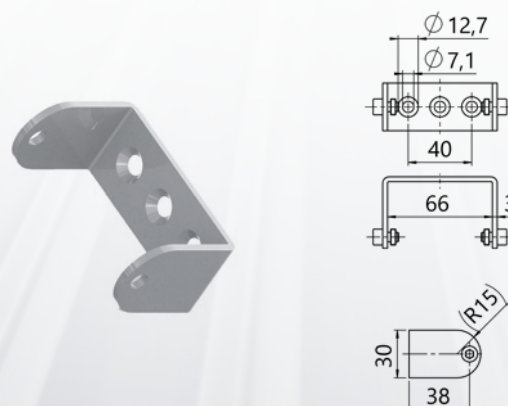
**Wall mount universal
(for Hexalift, T175, T165)**

Article number	EZ01813
Material:	Steel
Surface:	zinc plated



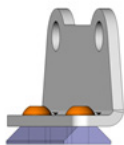
**Wall mount linear guide
lifter I 67**

Article number	EZ01816
Material:	Steel
Surface:	zinc plated



PROFILE ADAPTERS

For lifters T180 and T165



Article No. EZ01686

Profile adapter VR 60 (0°)

1 x slot nut EZ01127

2 x tallow-drop screw M6x10

1 x threaded pin M6x6



Article No. EZ01748

Profile adapter VR 60 (45°)

1 x slot nut EZ01127

2 x tallow-drop screw M6x10

1 x threaded pin M6x6



Article No. EZ01749

Profile adapter VR 60 (90°)

1 x slot nut EZ01127

2 x tallow-drop screw M6x10

1 x threaded pin M6x6

For lifters T175



Article No. EZ01750

Profile adapter VR 60 (0°)

3 x slot nuts 096286F

3 x tallow-drop screw M6x10



Article No. EZ01751

Profile adapter VR 60 (45°)

3 x slot nuts 13440026-01

3 x tallow-drop screw M6x10



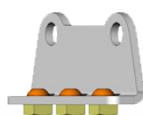
Article No. EZ01752

Profile adapter VR 60 (90°)

3 x slot nuts 13440026-01

3 x tallow-drop screw M6x10

For lifters TR126 and I67



Article No. EZ01753

Profile adapter VR 60 (0°)

3 x slot nuts 13440026-01

3 x tallow-drop screw M6x10



Article No. EZ01754

Profile adapter VR 60 (45°)

3 x slot nuts 13440026-01

3 x tallow-drop screw M6x10



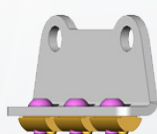
Article No. EZ01755

Profile adapter VR 60 (90°)

3 x slot nuts 13440026-01

3 x tallow-drop screw M6x10

For lifters Hexalift and I140



Article No. EZ01756

Profile adapter VR 60 (0°)

3 x slot nuts 096026

3 x tallow-drop screw M6x10



Article No. EZ01757

Profile adapter VR 60 (45°)

3 x slot nuts 096026

3 x tallow-drop screw M6x10



Article No. EZ01758

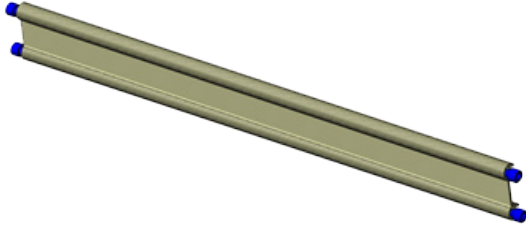
Profile adapter VR 60 (90°)

3 x slot nuts 096026

3 x tallow-drop screw M6x10

CROSS BAR

Cross bar for profile adapters (including mounting material)



Article No. **EZ01826-XXXX**

Length variable max. 5000 mm

TECHNICAL INFORMATION

Guidelines

In this catalogue you will find our range of standard products, together with performance details. Although great care has been taken in preparing this documentation, we can not guarantee that the information is complete or entirely accurate in every case. As our products are under continuous improvement and development, it has not been possible in every case to indicate all performance criteria.

Should you require additional information regarding a specific product or if you have been unable to find a product matching your criteria, we would request that you contact us on a direct basis.

The performance of any DC motor driven actuator will vary as a consequence of changes in load, power supply and other factors over which we have no influence. The accuracy of limit switch control is very much dependent on load and linear speed. For applications where these criteria are of critical importance, we recommend you to consult our sales staff.

The drive units shown in this catalogue are intended for intermittent operation category S3. This type of operation can be a sequence of similar cycles comprising a period of constant load and then a pause, after which this may be repeated.

Example S3 10%: Running time 1 minute in any 10-minute period.

Calculation

POWER CONSUMPTION

$$P1 = U \times I$$

P1 absorbed power in W | U Voltage in V | I Current in Amps

EFFICIENCY

$$\text{Efficiency} = P2/P1$$

Ratio between the power consumption and the output power in %

POWER OUTPUT

$$\text{Rotational: } P2 = M \times 2\pi \times n$$

P2 Output power in W | M Torque in Nm | n Rotational speed in rpm

POWER OUTPUT

$$\text{Linear: } P2 = F \times v = F \times s/t$$

P2 Output power in W | F Moving load in N

v Linear speed in m/s | s Travel in m | t Travel time in s

TECHNICAL INFORMATION

C.E. regulations and manufacturer declaration

In accordance with EU guidelines, all electric motor driven machines, equipment and systems, which are manufactured, imported or marketed in the European Community area are to be provided with CE marking. The EU guidelines include the following rules relevant to users of electric motors.

1. Machine guidelines

These apply to independent operating machines or groups of machines, or complete installations. They do not apply to individual components such as the electric control of motors, which cannot operate independently. Only complete machines or installations are applicable to this ruling.

2. Low voltage guidelines

This applies for all electric motors operating on a supply of equal to and above 75V DC (direct current) or 50V AC (alternating current). All our motors are intended for operation under max. 38V DC and therefore fall outside this ruling.

3. EMC Guidelines

This guideline applies to electrical and electronic, as well as non-electronic devices, equipment, plant and systems. This ruling applies also to complex components such as electric motors, but only if these are generally available to the public.

Our components are supplied only to manufacturers as parts or spare parts and according to section 5, paragraph 5 of the EMC ruling, do not require a CE marking.

The EN 55014 of the EMC ruling specifies maximum values for high frequency radiation. As a consequence of the above, the EMC ruling does not apply to our range of electrical components.

4. Complete products

Only complete products such as workbenches and desks may be considered to be subject to the CE marking, as well as other relevant standards relating to material strength and anti-squeeze safeguards. (EN.527-1/-3 etc.).

We would be pleased to advise in regard to the certification of your products if required.



clever motion – smart performance



**baumeister
& schack**

baumeister & schack GmbH & Co. KG
Mühlsteigstraße 6, 72336 Balingen-Ostdorf
Germany

Tel +49 (0) 7433/1456-0
Mail info@baumeister-balingen.de
www.baumeister-balingen.de

