

## LIFTERS T 180



### T 180/2

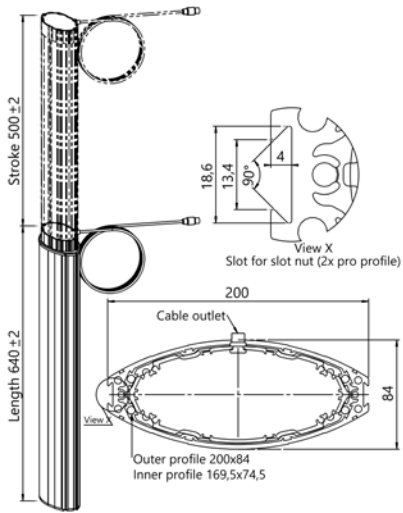
### T 180/3 580

### T 180/3 320

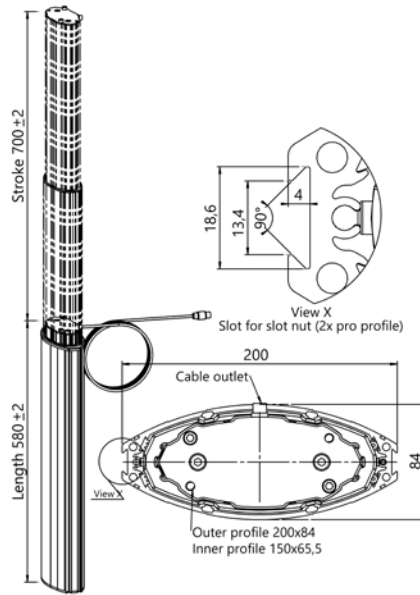
Lifter type		T 180/2	T 180/2	T 180/3	T 180/3
Article number	Unit	T180N500640ADD24	T 180F500640DDD24	T180K700580ADD24	T180K370320ADD24
Push force max.	N	800	1300	800	800
Pull force max. **	N	400**	600**	400**	400**
Max. lengthwise load statical	Nm	200	200	200	200
Max. lengthwise load dyn.	Nm	100	100	100	100
Max. lateral load statical	Nm	200	200	200	200
Max. lateral load dynamical	Nm	100	100	100	100
Speed (without load)	mm/s	25	13	25	25
Lifter version		2-stage	2-stage	3-stage	3-stage
Max. stroke (custom made)**	mm	700 (Fmax: 600N)**	500	1000 (Fmax: 600N)**	500 (Fmax: 600N)**
Retracted length (Standard)	mm	640	640	580	320
Stroke (Standard)	mm	500	500	700	370
Length/Stroke calculation	mm	Length=Stroke+140	Length=Stroke+140	Length=Stroke/2+230	Length=Stroke/2+135
Fixing points inner profile***		4 x M6	4 x M6	4 x M6	4 x M6
Fixing points outer profile***		4 x M6	4 x M6	4 x M6	4 x M6
Voltage	V/DC	24	24	24	24
Max. power input	W	144	144	144	144
Max. power consumption	A	6	6	6	6
Cable	mm	1200	2000	1200	1200
Plug	Type	Molex Mini Fit Jr.	Molex Mini Fit jr.	Molex Mini Fit Jr.	Molex Mini Fit Jr.
Cycle duty (S3)	min	1 / 9 (10 %)	1 / 9 (10 %)	1 / 9 (10 %)	1 / 9 (10 %)
Environment temperature	°C	+ 10 bis + 40	+ 10 bis + 40	+ 10 bis + 40	+ 10 bis + 40
Protection rate*	IP	up to 54	up to 54	up to 54	up to 54
Isolation class		III	III	III	III
Weight	kg	7,5	7,5	10	6,2
Pulse travel length (2-Hall)	mm/signal	0,319	0,1568	0,7659	0,7659
Integrated end switches		Yes	Yes	Yes	Yes

Note: self locking is increased when controller stays connected  
 Stroke tolerance (+/- 2mm) and operating speed depending on load and voltage  
 \*Depends on installation position  
 \*\*Other retracted length/stroke/pull application on demand  
 \*\*\* Screws self cutting/forming according to DIN 7500, thread depth min. L= 2,5 x D  
 Controllers and add-on components see accessoires

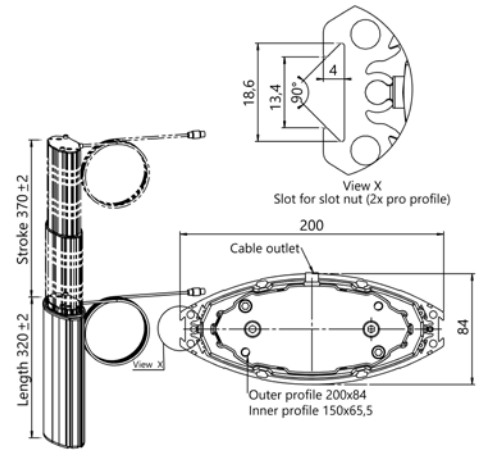
**LIFTERS T 180**



**T 180/2**



**T 180/3 580**



**T 180/3 320**

